



SCPH-30001 R

SCPH-30000 R series

SERVICE MANUAL 6th edition

for GH015(31/41) MOUNT

(F-type model)

PlayStation[®]2



Sony Computer Entertainment Inc.
Quality Assurance Department
Published in Japan © 2.2002. 9-927-093-61

NOTICE

Copyright by Sony Computer Entertainment Inc. All rights reserved. No reproduced and transferred required except permission by Sony Computer Entertainment Inc. No commercial use and rental required.

REVISIONS.

This manual compiled by second edition of SCPH-30000 R series D type and F type models design data. Design and Specification will be subject to changed without notice. The latest versions of service manual, Technical memo, Technical information should be used together.

SAFETY-RELATED COMPONENT WARNING !!

COMPONENTS IDENTIFIED BY MARK \triangle OR DOTTED LINE WITH MARK \triangle ON THE SCHEMATIC DIAGRAMS AND IN THE PARTS LIST ARE CRITICAL TO SAFE OPERATION. REPLACE THESE COMPONENTS WITH SONY PARTS WHOSE PART NUMBERS APPEAR AS SHOWN IN THIS MANUAL OR IN SUPPLEMENTS PUBLISHED BY SONY.

ATTENTION AU COMPOSANT AYANT RAPPORT À LA SÉCURITÉ !

LES COMPOSANTS IDENTIFIÉS PAR UNE MARQUE \triangle SUR LES DIAGRAMMES SCHÉMATIQUES ET LA LISTE DES PIÈCES SONT CRITIQUES POUR LA SÉCURITÉ DE FONCTIONNEMENT. NE REMPLACER CES COMPOSANTS QUE PAR DES PIÈCES SONY DONT LES NUMÉROS SONT DONNÉS DANS CE MANUEL OU DANS LES SUPPLÉMENTS UBLIÉS PAR SONY.

CAUTION

Replace the battery with a Sony CR2032 battery. Use of any other type of battery may present the risk of fire or explosion. The battery may explode if mistreated. Do not recharge, disassemble, or dispose of in fire.

CAUTION

The use of optical instruments with this product will increase eye Hazard. As the laser beam used in this CD/DVD player is harmful To eyes, do not attempt to disassemble the cabinet. Refer servicing to qualified personnel only.

WARNING !!

WHEN SERVICING, DO NOT APPROACH THE LASER EXIT WITH THE EYE TOO CLOSELY. IN CASE IT IS NECESSARY TO CONFIRM LASER BEAM EMISSION, BE SURE TO OBSERVE FROM A DISTANCE OF MORE THAN 25cm FROM THE SURFACE OF THE OBJECTIVE LENS ON THE OPTICAL PICK-UP BLOCK.

CAUTION

Use of controls or adjustments or performance of procedures other than those specified herein may result in hazardous radiation exposure.

CAUTION for electric shock

When power is ON, Don't touch to Power supply block, AC-inlet, Power switch and so on, not to get an electric shock at repair.

CAUTION for burning

When current is supplied, Some of part surface temperature like EE, GS, Regulator-IC, power supply, Optical device and so on. These part surface is become high temperature condition. When it repair, Don't touch them at a time during it surface is high temperature condition to take prevent against burning. Do repair after it is cooled down enough.

CAUTION

Danger of explosion if battery is incorrectly replaced. Replace only with the same or equivalent type recommended by the manufacturer. Discard used batteries according to the manufacturer's instructions.

ADVARSEL!

Lithiumbatteri - Eksplosjonsfare ved feilagtig håndtering. Udskiftning må kun ske med batteri af samme fabrikat og type. Levér det brugte batteri tilbage til leverandøren.

ADVARSEL

Eksplosjonsfare ved feilaktig skifte av batteri. Benytt samme batteritype eller en tilsvarende type anbefalt av apparatfabrikanten. Brukte batterier kasseres i henhold til fabrikantens instruksjoner.

VARNING

Explosionsfara vid felaktigt batteribyte. Använt samma batterityp eller en ekvivalent typ som rekommenderas av apparatillverkaren. Kassera använt batteri enligt fabrikantens instruktion.

VAROITUS

Paristo voi räjähtää, jos se on virheellisesti asennettu. Vaihda paristo ainoastaan valmistajan suosittelemaan tyyppiin. Hävitä käytetty paristo valmistajan ohjeiden mukaisesti.

SAFETY CHECK-OUT

After correcting the original service problem, perform the following safety checks before releasing the set to the customer:

1. Check the area of your repair for unsoldered or cold-soldered connections. Check the entire board surface for solder splashes and bridges.
2. Check the inter board wiring to ensure that no wires are "pinched" or contact high-wattage resistors.
3. Look for unauthorized replacement parts, particularly transistors, that were installed during a previous repair. Point them out to the customer and recommend their replacement.
4. Look for parts which, though functioning, show obvious signs of deterioration. Point them out of the customer and recommend their replacement.
5. Check the line cord for cracks and abrasion. Recommend the replacement of any such line cord to the customer.
6. Check the b+ voltage to see it is at the values specified.
7. Check the antenna terminals, metal trim, "metalized" knobs, screws, and all other exposed metal parts for ac leakage. Check leakage as described below.

LEAKAGE

The AC leakage from any exposed metal part to earth ground and from all exposed metal parts to any exposed metal part having a Return to chassis, must not exceed 0.5 mA (500 micro-amperes). Leakage current can be measured by any one of three methods.

1. A commercial leakage tester, such as the SIMPSON 229 or RCA WT-540A. Follow the manufacturers' instructions to use these instruments.
2. A battery-operated AC milli-ammeter. The Data Precision 245 digital multi-meter is suitable for this job.
3. Measuring the voltage drop across a resistor by means of a VOM or battery-operated ac voltmeter. The "limit" indication is 0.75V, so analog meters must have an accurate low-voltage scale. The SIMPSON 250 and SANWA SH-63TRD are examples of a passive VOM that is suitable. Nearly all battery operated digital multi-meters that have a 2V AC range are suitable.

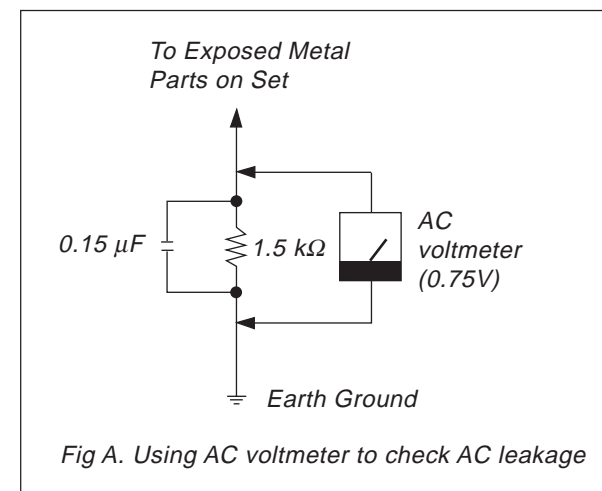


Fig A. Using AC voltmeter to check AC leakage

NOTIFICATION for environmental assessment

This model is CR2032 lithium battery onboard inside on the GB MOUNT or GH MOUNT as Timer backup power. CR2032 life may be about 5 to 8 years, so you have very few need for changing to new one. But if you have necessary to replaced to new one or disassemble for scrapping, you have to keep your country law, regulation, standard, etc. of environmental assessment and safety.

TABLE OF CONTENTS

SCPH-30001 R F-type model with GH015(31/41) MOUNT

NOTICE AND REVISION	GH015(31/41)-2
SPECIFICATIONS	GH015(31/41)-4
SUPPLIED ACCESSORIES AND PACKING BLOCK	GH015(31/41)-5
INSTRUCTION MANUAL BLOCK	GH015(31/41)-6
EXPLODED VIEWS	
Overall and Main Block	GH015(31/41)-7
MD Block	GH015(31/41)-9
GH Mount Block and Shield (A) Assy Block	GH015(31/41)-11
Switch Assy Block	GH015(31/41)-12
Power Switch, Fan and Rear Panel Assy Block	GH015(31/41)-13
BLOCK DIAGRAM	GH015(31/41)-14
PRINTED WIRING BOARDS AND SCHEMATIC DIAGRAMS	
Note for Printed Wiring Boards and Schematic Diagrams	GH015(31/41)-15
GH015(31/41) Mount Schematic Diagrams	GH015(31/41)-16
GH015(31/41) Mount Wiring Boards	GH015(31/41)-24
Electrical Parts List	GH015(31/41)-26
Switch Mount	GH015(31/41)-31

SPECIFICATIONS

General

Power requirements

120 V AC, 60 Hz

Power consumption

79 W

Dimensions

301 x 78 x 182 mm (w/h/d)

Mass

2.4 kg

Inputs/Outputs on the front

Controller ports (2)

Memory card slots (2)

USB ports (2)

S400 (i-Link) port (1)

Inputs/Outputs on the rear

HDD bay slot (1)

Outputs on the rear

AV Multi out port (1)

RGB, Ycbr, Y/C, Composite-video,

Audio-L/R, XGA

Digital out port (1)

Optical audio

Supplied accessories

AC power cord (1)

A/V connecting cable (1)

Dualshock2 Analog controller (1)

SUPPLIED ACCESSORIES AND PACKING BLOCK

NOTE :

- Due to standardization, replacements in the parts list may be different from the parts specified in the diagrams or the components used on the set.
- -XX and -X mean standardized parts, so they may have some difference from the original one.
- RESISTORS
METAL : Metal-film resistor.
F : nonflammable
Unit is Ω.

- SEMICONDUCTORS
In each case, u : μ, for example :
uA .. : μA .. uPA ... : μPA ..
uPB .. : μPB .. uPC ... : μPC .. uPD ... : μPD ..
- CAPACITORS
uF : μF
- COILS
uH : μH

The components identified by mark Δ or dotted line with mark. Δ are critical for safety. Replace only with part number specified.

SUPPLIED ACCESSORIES and PACKING GROUP

PLACE CODE #23

A-6785-353-A ACCESSORIES and PACKING GROUP

<u>Ref.</u>	<u>Part No.</u>	<u>Description</u>	<u>Remarks</u>
Δ AC	1-790-108-31	CORD, POWER	
Δ AC	1-823-701-11	CORD, POWER	
AV	1-792-028-11	AV CABLE (Integrated audio/video)	
AV	1-792-028-22	AV CABLE (Integrated audio/video)	
AV	1-792-028-42	AV CABLE (Integrated audio/video)	
AV	1-792-028-51	AV CABLE (Integrated audio/video)	
AV	1-792-028-61	AV CABLE (Integrated audio/video)	
CONT	1-823-069-51	ANALOG CONTROLLER (DUALSHOCK 2)	
CONT	1-823-552-12	ANALOG CONTROLLER (DUALSHOCK 2)	
CU	3-064-714-01	CUSHION	
CU2	3-064-713-01	CUSHION 2	
SH	3-065-170-01	SHEET, PROTECTION	
CA	3-071-632-01	INDIVIDUAL CARTON	
MC	3-071-633-11	MASTER CARTON, 3 SETS	
TA	3-987-483-11	TAPE, BERODDED PREVENTION	
IMB	A-6785-354-A	MANUAL BLOCK ASSY, INSTRUCTION	

A-6785-396-A ACCESSORIES and PACKING GROUP

<u>Ref.</u>	<u>Part No.</u>	<u>Description</u>	<u>Remarks</u>
Δ AC	1-790-108-31	CORD, POWER	
Δ AC	1-823-701-11	CORD, POWER	
AV	1-792-028-11	AV CABLE (Integrated audio/video)	
AV	1-792-028-22	AV CABLE (Integrated audio/video)	
AV	1-792-028-42	AV CABLE (Integrated audio/video)	
AV	1-792-028-51	AV CABLE (Integrated audio/video)	
AV	1-792-028-61	AV CABLE (Integrated audio/video)	
CONT	1-823-069-51	ANALOG CONTROLLER (DUALSHOCK 2)	
CONT	1-823-552-12	ANALOG CONTROLLER (DUALSHOCK 2)	
CU	3-074-515-01	CUSHION	
CU2	3-074-514-01	CUSHION 2	
SH	3-065-170-01	SHEET, PROTECTION	
CA	3-073-115-01	INDIVIDUAL CARTON	
MC	3-073-356-01	MASTER CARTON, 3 SETS	
TA	3-987-483-11	TAPE, BERODDED PREVENTION	
IMB	A-6785-346-A	MANUAL BLOCK ASSY, INSTRUCTION	

INSTRUCTION MANUAL BLOCK

NOTE :

- Due to standardization, replacements in the parts list may be different from the parts specified in the diagrams or the components used on the set.
- -XX and -X mean standardized parts, so they may have some difference from the original one.
- RESISTORS
METAL : Metal-film resistor.
F : nonflammable
Unit is Ω.

- SEMICONDUCTORS
In each case, u : μ, for example :
uA ... : μA ... uPA ... : μPA ...
uPB ... : μPB ... uPC ... : μPC ... uPD ... : μPD ...
- CAPACITORS
uF : μF
- COILS
uH : μH

The components identified by mark \triangle or dotted line with mark. \triangle are critical for safety. Replace only with part number specified.

INSTRUCTION MANUAL BLOCK ASSY

PLACE CODE #23

A-6785-354-A INSTRUCTION MANUAL BLOCK ASSY

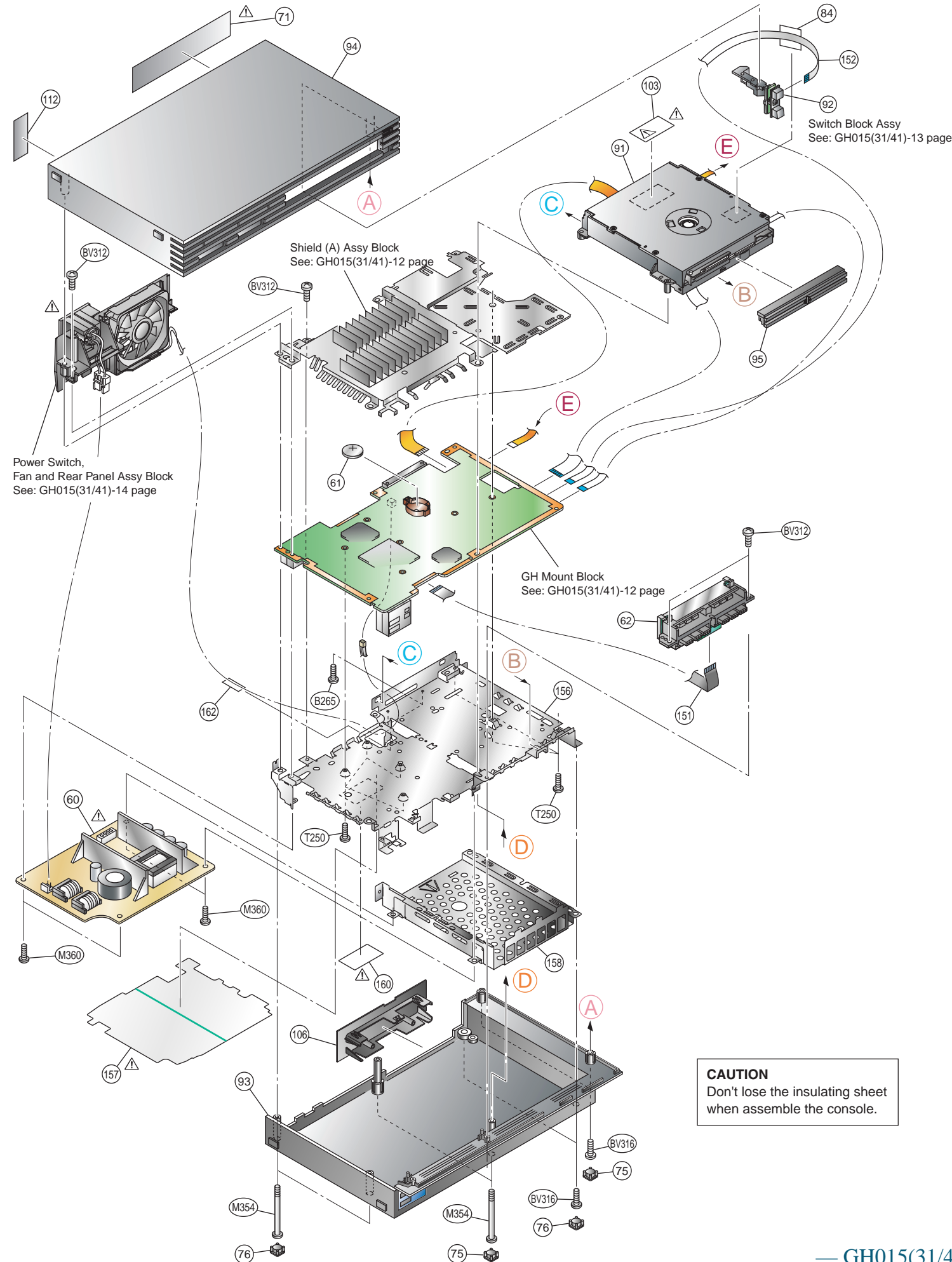
Ref.	Part No.	Description
CI	3-072-824-01	CARD, CUSTOMER INQUIRY
CS	3-066-966-01	CARD, SERVICE NUMBER
ES	3-060-161-02	SHEET, ESRB
IM	3-071-581-13	MANUAL, INSTRUCTION

A-6785-346-A INSTRUCTION MANUAL BLOCK ASSY

Ref.	Part No.	Description
CI	3-073-385-01	CARD, CUSTOMER INQUIRY
CS	3-073-384-01	CARD, SERVICE NUMBER
ES	3-073-383-01	SHEET, ESRB
IM	3-073-382-01	MANUAL, INSTRUCTION

EXPLODED VIEWS

Overall and Main Block



CAUTION

The components identified by mark \triangle or dotted line with mark \triangle are critical for safety. Replace only with part number specified.

CAUTION :

Use of controls or adjustments or performance of procedures other than those specified herein may result in hazardous radiation exposure.

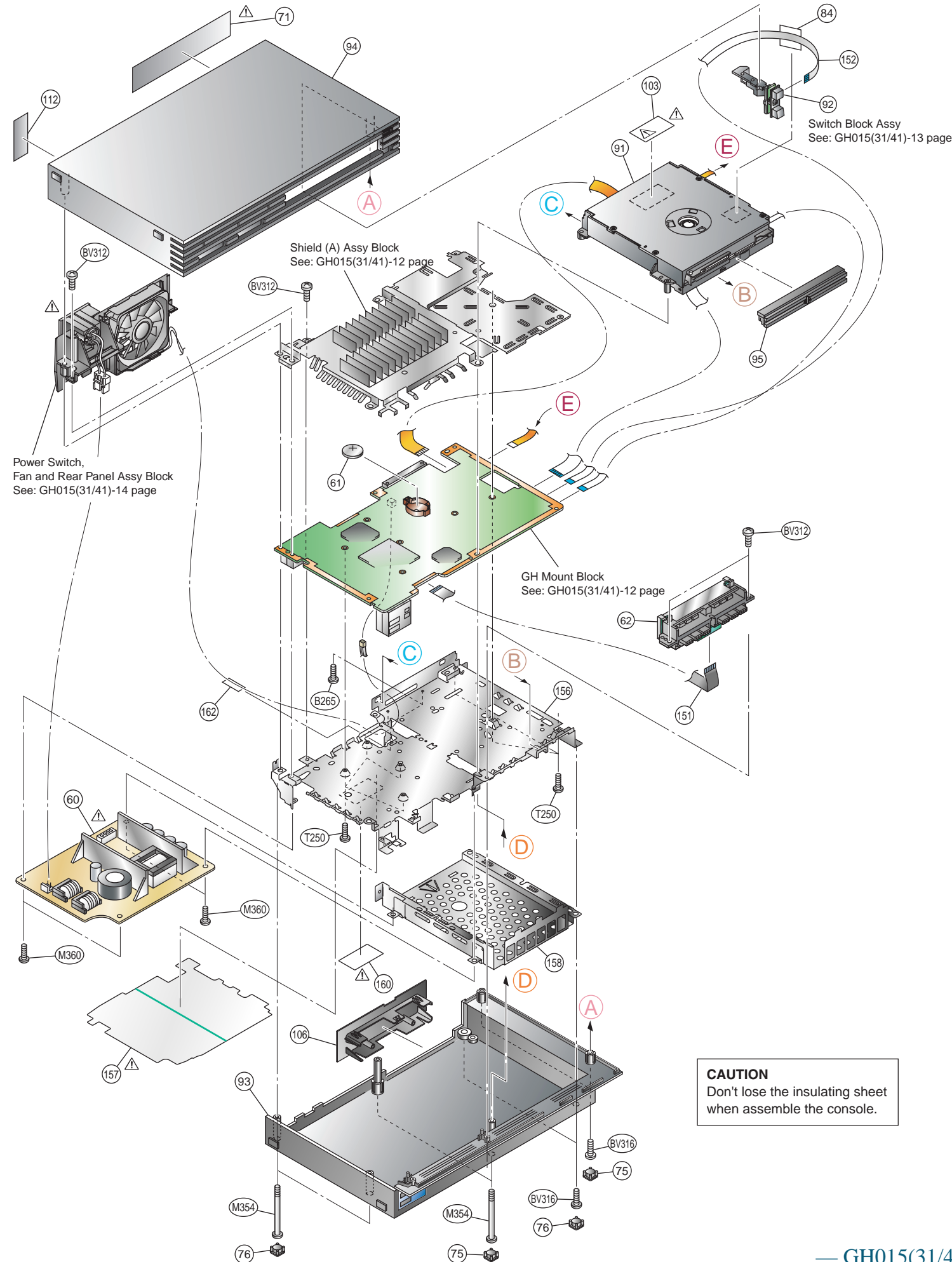
A6787-263-A OVERALL AND MAIN BLOCK

Ref-No.	Part No.	Description	Remark	Place code
\triangle 60	1-468-604-11	POWER BLOCK	for 120V AC	#00
\triangle 60	1-468-604-21	POWER BLOCK	for 120V AC	#00
\triangle 60	1-468-604-31	POWER BLOCK	for 120V AC	#00
\triangle 60	1-468-623-11	POWER BLOCK	for 120V AC	#00
\triangle 60	1-468-623-21	POWER BLOCK	for 120V AC	#00
61	1-528-174-41	BATTERY, LITHIUM (CR2032 TYPE)		#25GH
62	1-694-873-11	TERMINAL BOARD (FRONT)		#17
62	1-694-874-11	TERMINAL BOARD (FRONT)		#17
62	1-694-875-11	TERMINAL BOARD (FRONT)		#17
\triangle 71	3-071-967-01	LABEL, MODEL NUMBER (UC2)		#87
75	3-059-626-03	COVER, SCREW		#22
76	3-059-627-01	CAP		#22
84	3-067-170-01	TAPE (20X20), HARNESS STOPPER		#87
91	A-6705-440-A	MD BLOCK ASSY		#10
92	A-6705-439-A	SWITCH BLOCK ASSY		#87
93	X-3951-706-2	COVER ASSY, LOWER		#87
94	X-3951-705-2	COVER ASSY, UPPER		#87
95	X-3951-099-1	PLATE ASSY, ORNAMENTAL		#87
\triangle 103	3-976-231-11	LABEL, CAUTION		#87
106	3-070-847-01	LID		#87
112	3-066-253-01	TAPE, VOID		#87
151	1-757-934-11	CABLE, FLEXIBLE FLAT (FFC-011)		#12
151	1-757-934-21	CABLE, FLEXIBLE FLAT (FFC-011)		#12
151	1-757-934-31	CABLE, FLEXIBLE FLAT (FFC-011)		#12
152	1-823-341-11	CABLE, FLEXIBLE FLAT (FFC-015)		#12
152	1-823-341-21	CABLE, FLEXIBLE FLAT (FFC-015)		#12
156	3-071-970-02	SHIELD B (F)		#16
\triangle 157	3-071-971-01	SHEET, INSULATING		#16
158	3-071-973-01	SHIELD HDD (F)		#87
\triangle 160	3-703-692-01	LABEL, CAUTION, BARRIER		#16
162	3-069-212-01	TAPE, HARNESS STOPPER		#87
B265	3-069-170-01	TAPPING (B2X6.5)		#87
BV312	3-325-679-21	SCREW, TAPPING +BV 3X12		#87
BV316	3-070-296-01	TAPPING +BV 3X16		#87
BV316	3-325-679-91	SCREW (2 LOCK), +BV TAPPING		#87
M354	3-059-622-02	SCREW (M3X54), HEAD TAPPING		#87
M360	3-069-168-01	TITE (CZN), M3X6 +BV S		#87
T250	3-071-976-01	TAPPING (2X5)		#87

CAUTION
Don't lose the insulating sheet when assemble the console.

EXPLODED VIEWS

Overall and Main Block



CAUTION

The components identified by mark Δ or dotted line with mark. Δ are critical for safety. Replace only with part number specified.

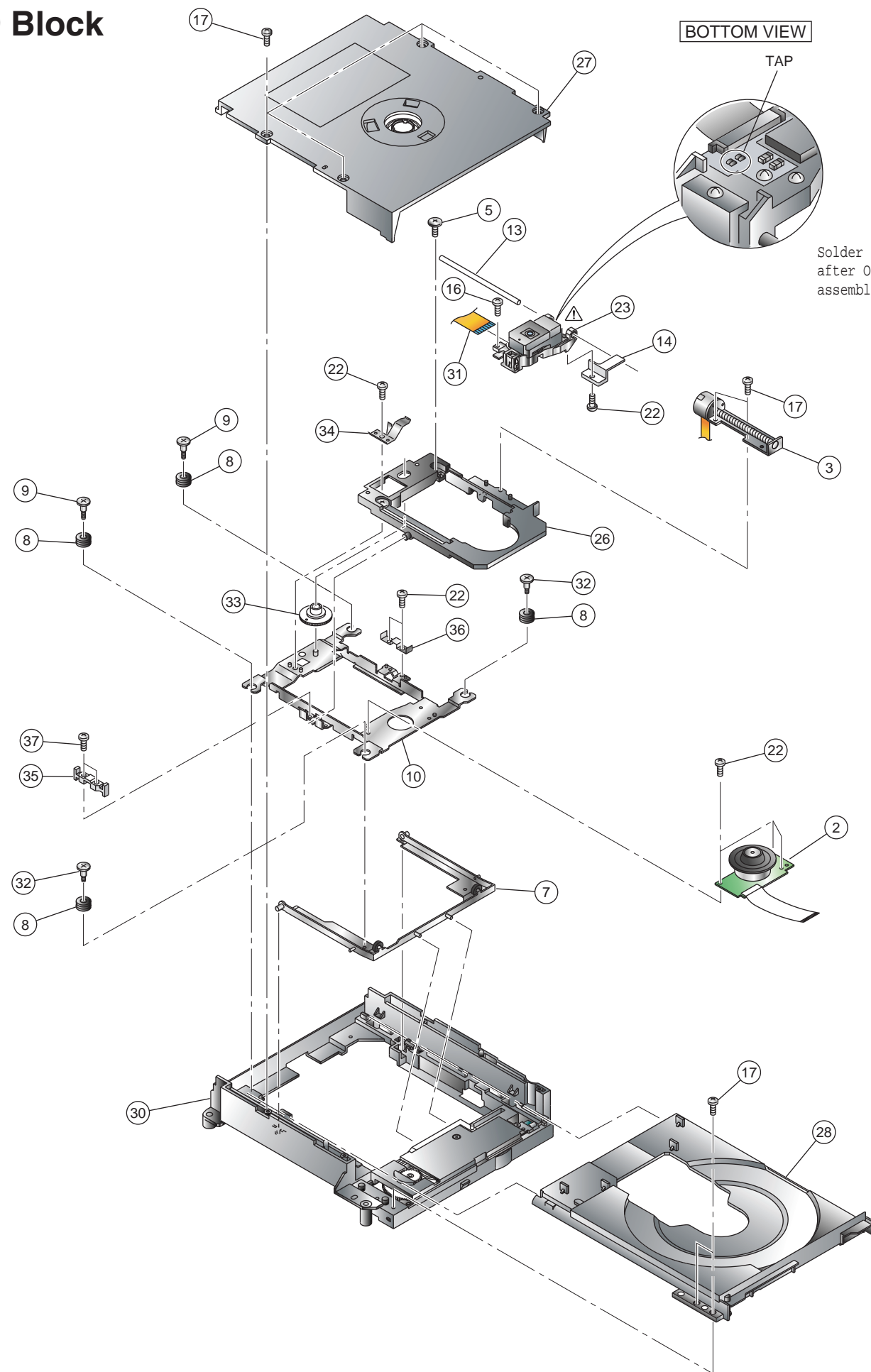
CAUTION :

Use of controls or adjustments or performance of procedures other than those specified herein may result in hazardous radiation exposure.

A-6787-394-A OVERALL AND MAIN BLOCK

Ref-No.	Part No.	Description	Remark	Place code
Δ 60	1-468-604-11	POWER BLOCK	for 120V AC	#00
Δ 60	1-468-623-11	POWER BLOCK	for 120V AC	#00
61	1-528-174-41	BATTERY, LITHIUM (CR2032 TYPE)		#25GH
62	1-694-873-11	TERMINAL BOARD (FRONT)		#17
62	1-694-874-11	TERMINAL BOARD (FRONT)		#17
62	1-694-875-11	TERMINAL BOARD (FRONT)		#17
Δ 71	3-074-543-01	LABEL, MODEL NUMBER (UC2)		#87
75	3-074-548-01	COVER, SCREW		#22
76	3-074-549-01	CAP		#22
84	3-074-559-01	TAPE (20X20), HARNESS STOPPER		#87
91	A-6787-400-A	MD BLOCK ASSY		#10
92	A-6787-339-A	SWITCH BLOCK ASSY		#87
93	X-3952-367-1	COVER ASSY, LOWER		#87
94	X-3952-188-1	COVER ASSY, UPPER		#87
95	X-3952-368-1	PLATE ASSY, ORNAMENTAL		#87
Δ 103	3-074-558-01	LABEL, CAUTION		#87
106	3-074-550-01	LID		#87
112	3-074-557-01	TAPE, VOID		#87
151	1-757-934-11	CABLE, FLEXIBLE FLAT (FFC-011)		#12
151	1-757-934-21	CABLE, FLEXIBLE FLAT (FFC-011)		#12
151	1-757-934-31	CABLE, FLEXIBLE FLAT (FFC-011)		#12
152	1-823-341-11	CABLE, FLEXIBLE FLAT (FFC-015)		#12
152	1-823-341-21	CABLE, FLEXIBLE FLAT (FFC-015)		#12
156	3-074-544-01	SHIELD B (F)		#16
Δ 157	3-074-542-01	INSULATING SHEET		#16
158	3-074-541-01	SHIELD HDD (F)		#87
Δ 160	3-074-605-01	LABEL, CAUTION, BARRIER		#16
162	3-074-560-01	TAPE, HARNESS STOPPER		#87
B265	3-074-551-01	TAPPING (B2X6.5)		#87
BV312	3-074-555-11	SCREW (2 LOCK)(3X12), +BV TAPPING		#87
BV316	3-074-555-01	SCREW (2 LOCK), +BV TAPPING		#87
M354	3-074-556-01	SCREW BRAZIER HEAD P TIGHT 3X54		#87
M360	3-074-553-01	M3X6 +BV S TITE (CZN)		#87
T250	3-074-552-01	TAPPING (2X5)		#87

MD Block



CAUTION

The components identified by mark \triangle or dotted line with mark. \triangle are critical for safety. Replace only with part number specified.

CAUTION :

Use of controls or adjustments or performance of procedures other than those specified herein may result in hazardous radiation exposure.

A-6705-440-A MD BLOCK

Ref-No.	Part No.	Description	Remark	Place code
2	1-763-700-21	MOTOR, DC (SPINDLE)		#10SP
3	1-763-639-21	MOTOR, DC(SLED)		#10
3	1-763-791-11	MOTOR, DC(SLED)		#10
5	3-059-845-01	SCREW (B2X6.5), SHAFT RETAINER		#10
7	X-3951-637-1	FRAME ASSY, SUB		#10
8	3-065-277-01	INSULATOR		#10
9	3-065-276-01	SCREW, STEP		#10
10	3-071-957-01	CHASSIS, MAIN		#10
13	3-059-854-02	SHAFT, MAIN		#10
14	3-059-855-02	RACK		#10
16	3-060-399-01	SCREW, SKEW		#10
17	3-060-400-01	TAPPING (B2X6.5)		#10
22	3-062-728-01	0 PLATE 3 MAIN M2X3.2		#10
\triangle 23	1-758-717-11	DEVICE, OPTICAL SF-HD7	Made by Sanyo(Not supply)	#10OP
\triangle 23	8-820-151-01	DEVICE, OPTICAL KHS-400C	Made by Sony	#10OP
26	X-3952-057-1	CHASSIS ASSY, SUB		#10
27	X-3952-059-1	BRACKET ASSY, PULLEY		#10
28	X-3952-060-1	TRAY ASSY		#10TR
30	X-3952-058-3	FRAME ASSY, MAIN		#10
31	1-680-370-22	PWB, FLEXIBLE		#10
32	3-068-075-02	SCREW (SUB), STEP		#10
33	3-071-965-02	CAM, TILT		#10
34	3-071-966-02	SPRING (TILT), LEAF		#10
35	3-065-282-01	GUIDE (L)		#10
36	3-065-283-01	GUIDE (R)		#10
37	3-065-557-01	SCREW (M2X6.0)		#10

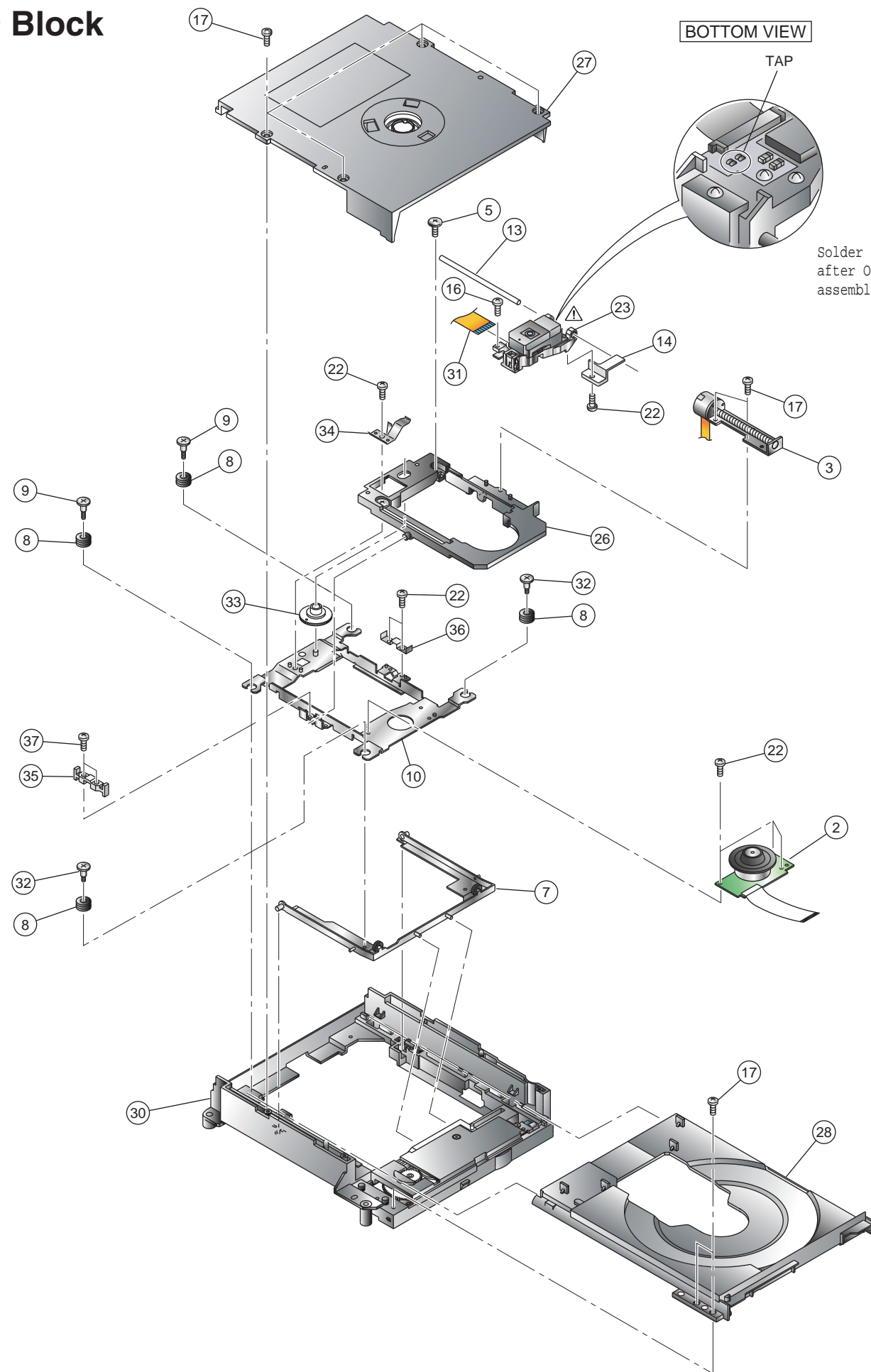
CAUTION :

EEPROM DATA is different between optical device made by Sony and made by Sanyo.EEPROM DATA have to rewrite after OPTICAL DEVICE replacing.

CAUTION :

OPTICAL DEVICE is very delicate to static electricity. Be carefill for handling it not to discharge static electricity from your body or etc. to OPTICAL DEVICE.

MD Block



CAUTION

The components identified by mark \triangle or dotted line with mark. \triangle are critical for safety. Replace only with part number specified.

CAUTION :

Use of controls or adjustments or performance of procedures other than those specified herein may result in hazardous radiation exposure.

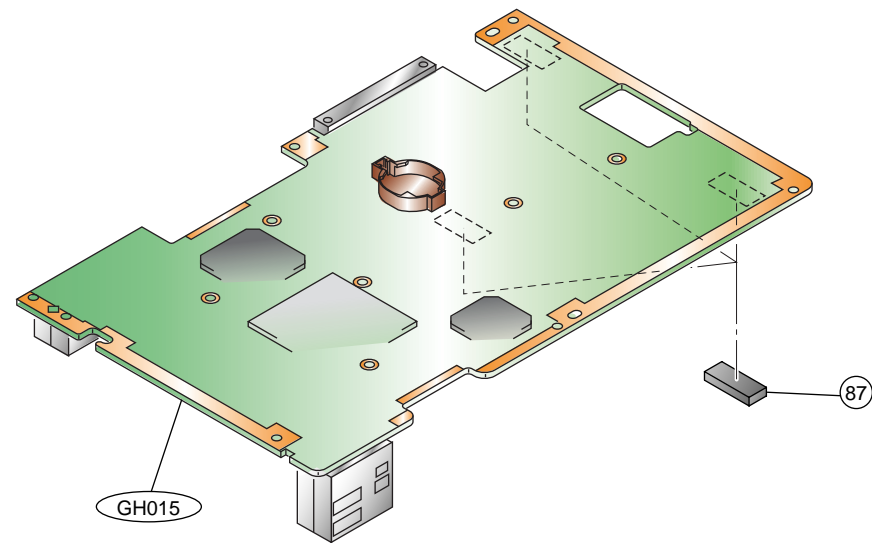
A-6787-400-A MD BLOCK

Ref-No.	Part No.	Description	Remark	Place code
2	1-763-700-21	MOTOR, DC (SPINDLE)		#10SP
3	1-763-639-21	MOTOR, DC(SLED)		#10
5	3-059-845-01	SCREW (B2X6.5), SHAFT RETAINER		#10
7	X-3952-344-1	FRAME ASSY, SUB		#10
8	3-065-277-01	INSULATOR		#10
9	3-065-276-01	SCREW, STEP		#10
10	3-074-280-01	CHASSIS, MAIN		#10
13	3-074-281-01	SHAFT, MAIN		#10
14	3-074-282-01	RACK		#10
16	3-060-399-01	SCREW, SKEW		#10
17	3-060-400-01	TAPPING (B2X6.5)		#10
22	3-062-728-01	O PLATE 3 MAIN M2X3.2		#10
\triangle 23	8-820-151-01	DEVICE, OPTICAL KHS-400C		#10OP
26	X-3952-348-1	CHASSIS ASSY, SUB		#10
27	X-3952-346-1	BRACKET ASSY, PULLEY		#10
28	X-3952-347-1	TRAY ASSY		#10TR
30	X-3952-058-3	FRAME ASSY, MAIN		#10
31	1-680-370-22	PWB, FLEXIBLE		#10
32	3-068-075-02	SCREW (SUB), STEP		#10
33	3-074-283-01	CAM, TILT		#10
34	3-071-966-02	SPRING (TILT), LEAF		#10
35	3-074-285-01	GUIDE (L)		#10
36	3-074-286-01	GUIDE (R)		#10
37	3-065-557-01	SCREW (M2X6.0)		#10

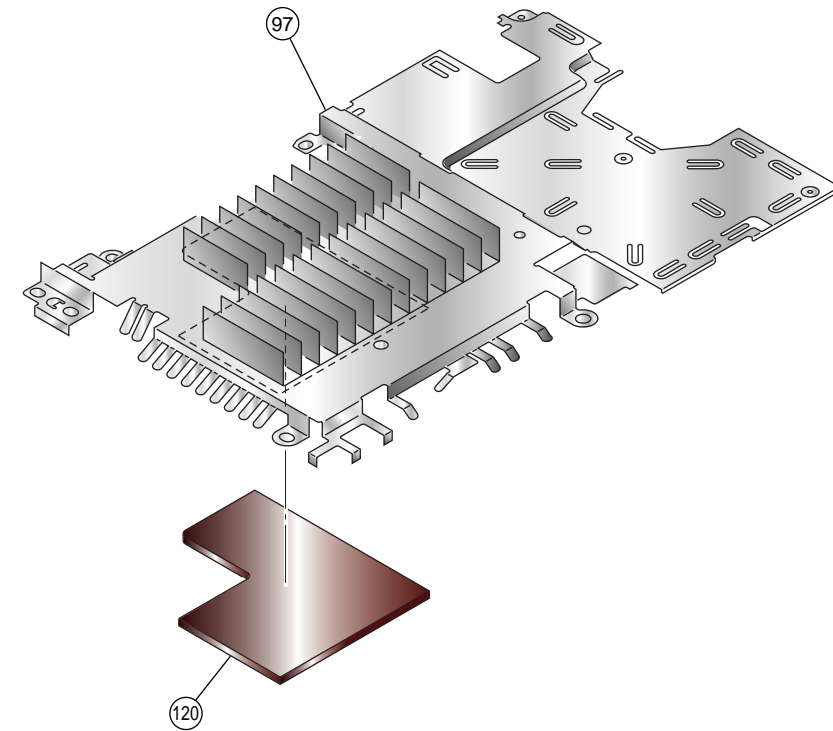
CAUTION :

OPTICAL DEVICE is very delicate to static electricity. Be carefull for handling it not to discharge static electricity from your body or etc. to OPTICAL DEVICE.

GH Mount Block



Shield (A) Assy Block



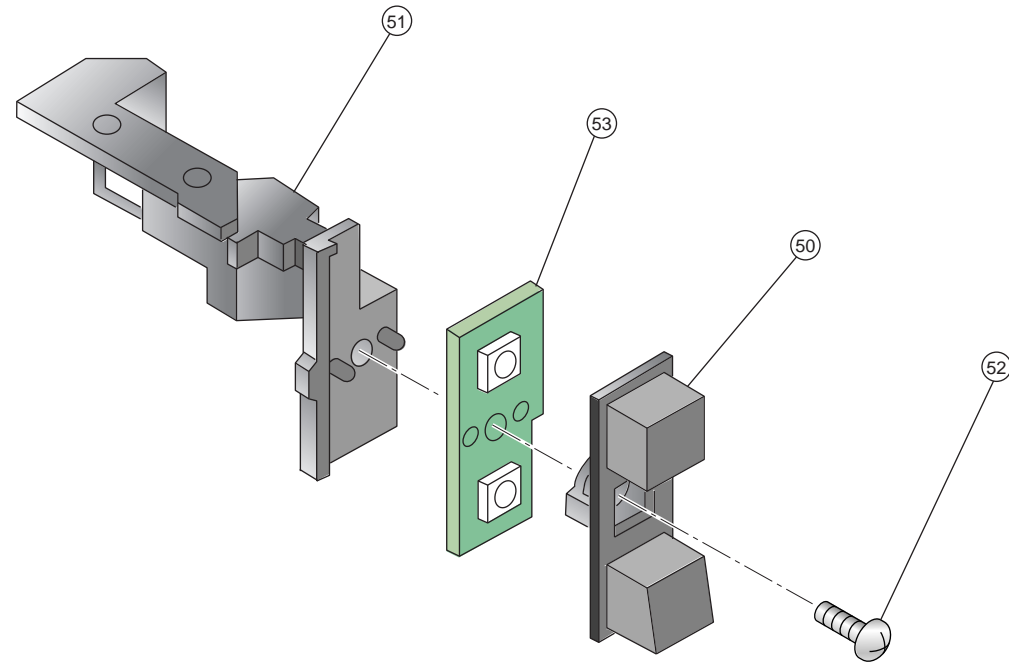
GH MOUNT BLOCK

Ref-No.	Part No.	Description	Remark	Place code
87	3-068-806-02	SHEET (DRIVER), ELECTRIC HEAT	for A-6787-263-A OVERALL ASSY, MAIN	#87
87	3-074-547-02	SHEET (DRIVER), ELECTRIC HEAT	for A-6787-394-A OVERALL ASSY, MAIN	#87
GH015	A-6715-501-A A-6714-501-A	GH-015(31/41) COMPL GH-015(31/41) MOUNT		#25GH

SHIELD (A) ASSY BLOCK

Ref-No.	Part No.	Description	Remark	Place code
97	X-3952-061-2	SHIELD A (F) ASSY	for A-6787-263-A OVERALL ASSY, MAIN	#87
97	X-3952-211-1	SHIELD A ASSY (F)	for A-6787-263-A OVERALL ASSY, MAIN	#87
97	X-3952-256-2	SHIELD (A (F)) ASSY	for A-6787-263-A OVERALL ASSY, MAIN	#87
97	X-3952-366-1	SHIELD (A) (F) ASSY	for A-6787-394-A OVERALL ASSY, MAIN	#87
120	3-059-652-01	SHEET (A), ELECTRIC HEAT	for A-6787-263-A OVERALL ASSY, MAIN	#87
120	3-074-546-01	THRMLLY CONDUCTIVITY SHEET	for A-6787-394-A OVERALL ASSY, MAIN	#87

Switch Assy Block



SWITCH ASSY BLOCK

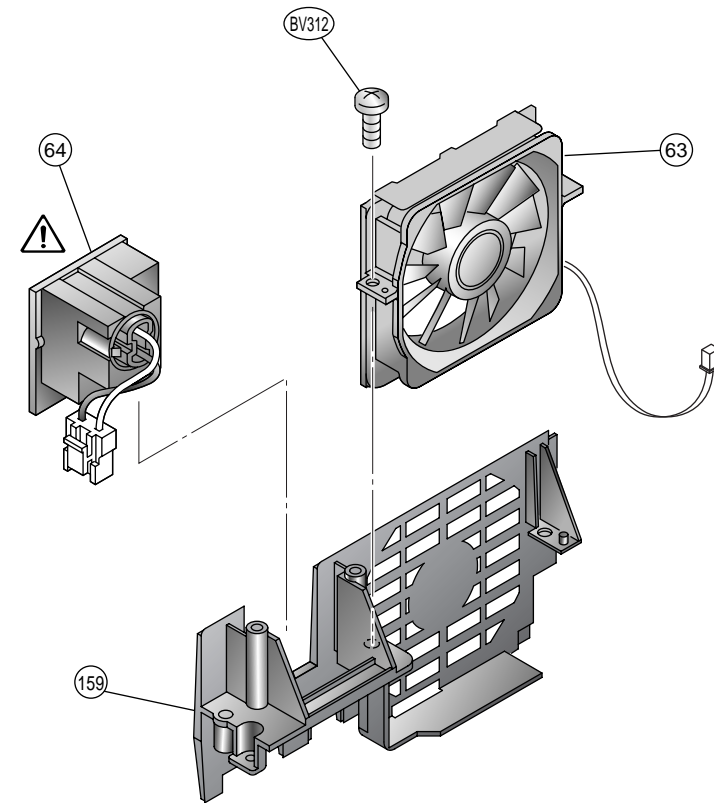
A-6705-439-A SWITCH ASSY BLOCK

<u>Ref-No.</u>	<u>Part No.</u>	<u>Description</u>	<u>Remark</u>	<u>Place code</u>
50	3-059-665-04	BUTTON, SWITCH		#25SW
51	3-059-666-05	BRACKET, SWITCH		#25SW
51	3-066-494-01	BRACKET, SWITCH		#25SW
52	7-685-105-11	TPG +P 2X8, TYPE 2, NON-SLIT		#25SW
53	A-6715-500-A	SW-367 COMPL		#25SW
	A-6714-500-A	SW-367 MOUNT		
53	A-6787-465-A	SW-367 COMPL(VA)		#25SW
	A-6787-466-A	SW-367 MOUNT (VA)		

A-6787-399-A SWITCH ASSY BLOCK

<u>Ref-No.</u>	<u>Part No.</u>	<u>Description</u>	<u>Remark</u>	<u>Place code</u>
50	3-074-566-01	BUTTON, SWITCH		#25SW
51	3-074-567-01	BRACKET, SWITCH		#25SW
51	3-066-494-01	BRACKET, SWITCH		#25SW
52	3-074-551-01	TPG +P 2X8, TYPE 2, NON-SLIT		#25SW
53	A-6715-500-A	SW-367 COMPL		#25SW
	A-6714-500-A	SW-367 MOUNT		
53	A-6787-465-A	SW-367 COMPL(VA)		#25SW
	A-6787-466-A	SW-367 MOUNT (VA)		

Power Switch, Fan and Rear Panel Assy Block



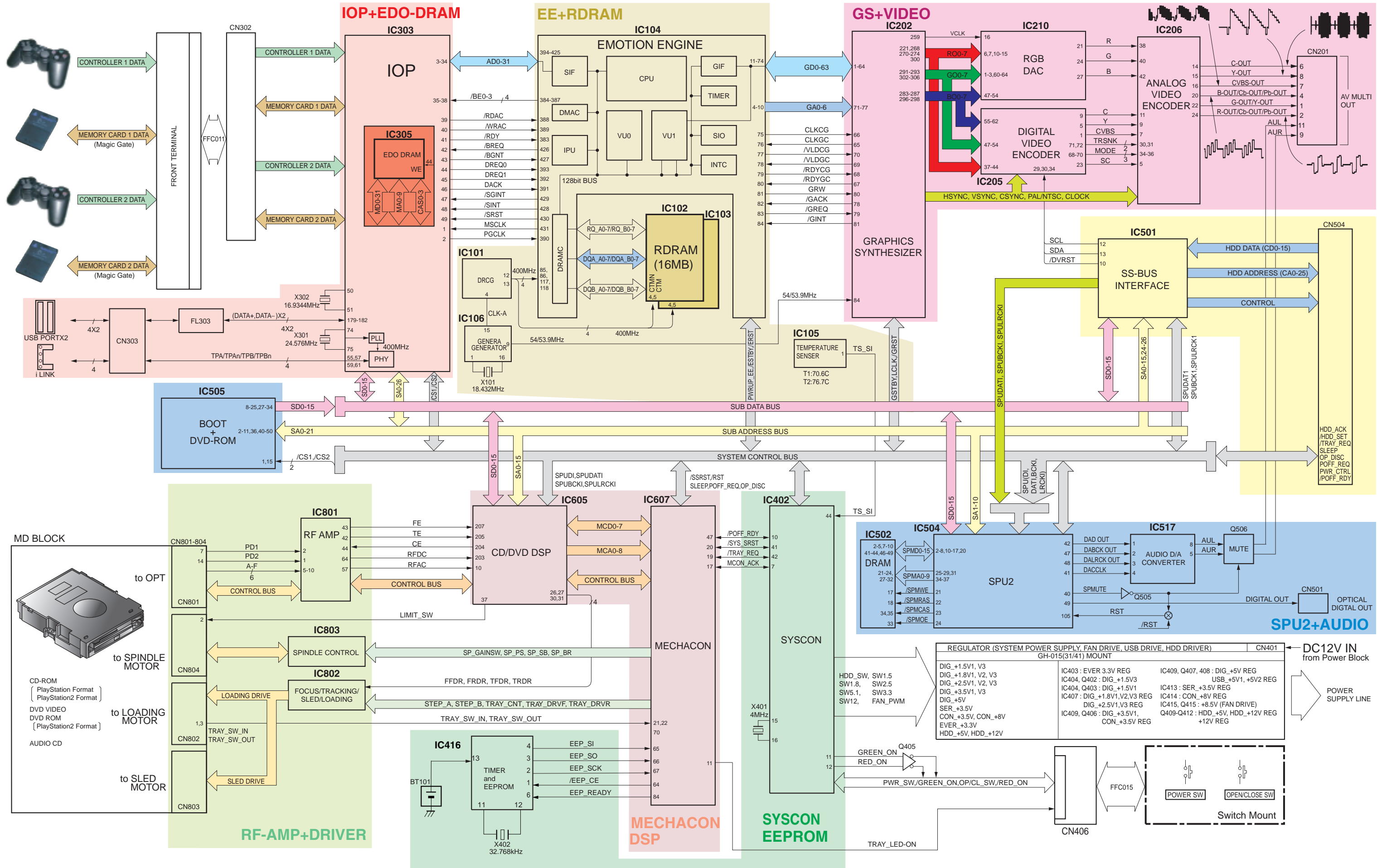
CAUTION

The components identified by mark \triangle or dotted line with mark \triangle are critical for safety. Replace only with part number specified.

CAUTION :
Use of controls or adjustments or performance of procedures other than those specified herein may result in hazardous radiation exposure.

<u>Ref-No.</u>	<u>Part No.</u>	<u>Description</u>	<u>Remark</u>	<u>Place code</u>
63	1-763-480-31	DC. FAN		#74
63	1-763-554-31	FAN, DC		#74
63	1-763-756-21	FAN, D.C.		#74
\triangle 64	1-771-994-31	SWITCH, POWER (WITH AC INLET)		#00
\triangle 64	1-786-362-11	SWITCH, POWER	for A-6787-263-A OVERALL ASSY, MAIN	#00
159	3-071-901-01	PANEL, REAR	for A-6787-263-A OVERALL ASSY, MAIN	#87
159	3-074-543-01	PANEL, REAR	for A-6787-394-A OVERALL ASSY, MAIN	#87
BV312	3-325-679-21	SCREW, TAPPING +BV 3X12		#87
BV312	3-074-555-11	SCREW (2 LOCK) (3X12), TAPPING		#87


BLOCK DIAGRAM



PRINTED WIRING BOARDS AND SCHEMATIC DIAGRAMS

THIS NOTE IS COMMON FOR PRINTED WIRING BOARDS AND SCHEMATIC DIAGRAMS.

Note on Printed Wiring Boards :

- Through hole is omitted.
-  : Pattern on the side which is seen.

Note on Schematic Diagram :

- Use caution when replacing chip parts.
New parts must be attached after removal of chip.
Be careful not to heat the minus side of tantalum capacitor, because it is damaged by the heat.
- All capacitors are in F unless otherwise noted. pF : F 50 WV or less are not indicated except for electrolytics and tantalums.
- All resistors are in Ω and 1/4 W (Chip resistors : 1/10W) unless otherwise specified.
- Chip resistors are 1/8 W or 1/10 W unless otherwise noted.
k Ω : 1000 Ω , M Ω : 1000 k Ω .

Note :





The components identified by mark \triangle or dotted line with mark \triangle are critical for safety. Replace only with part number specified.

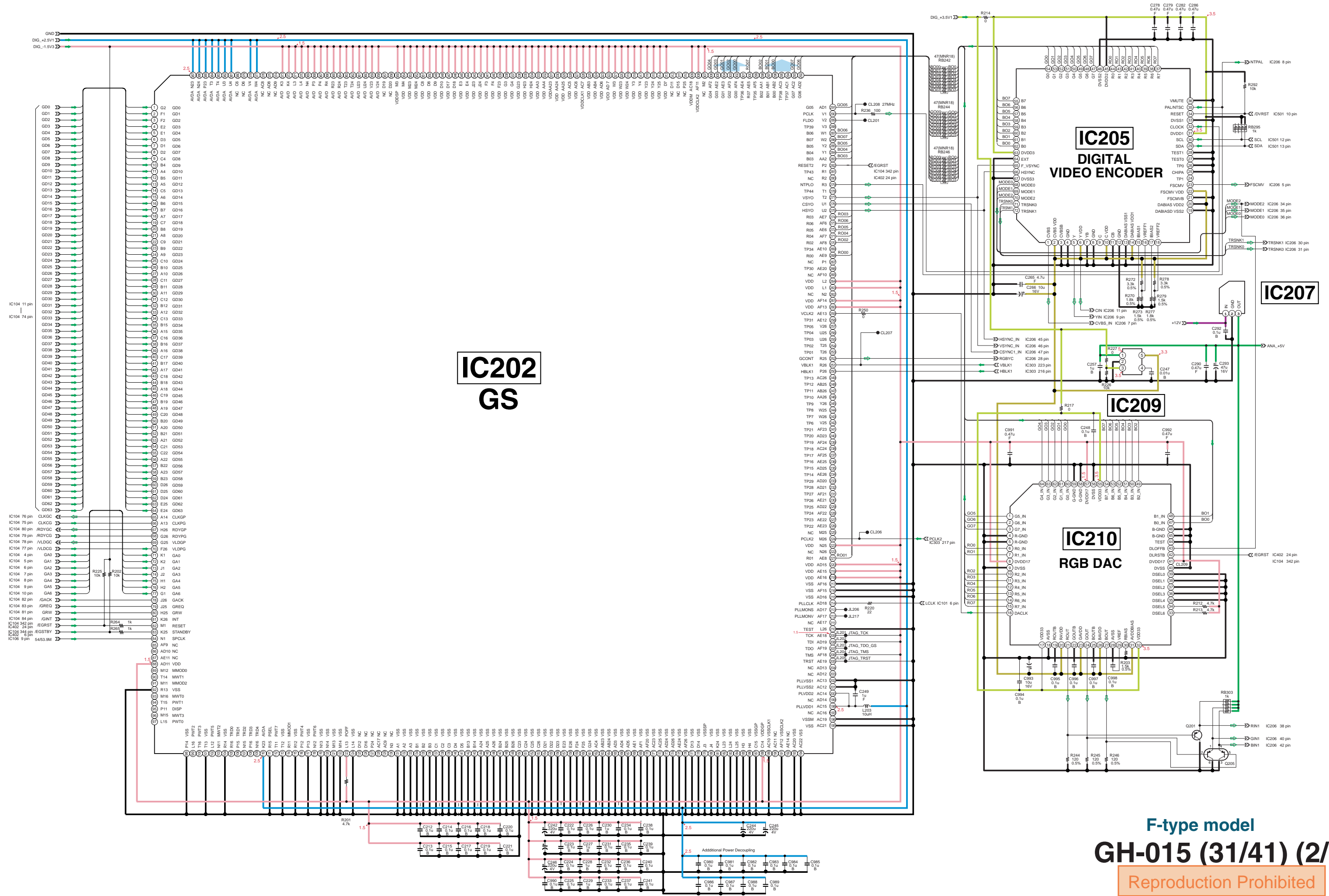
Note :

Les composants identifiés par une marque \triangle sont critiques pour la securite. Ne les remplacer que par une piece portant le numero specifie.

Note on DC Power line :

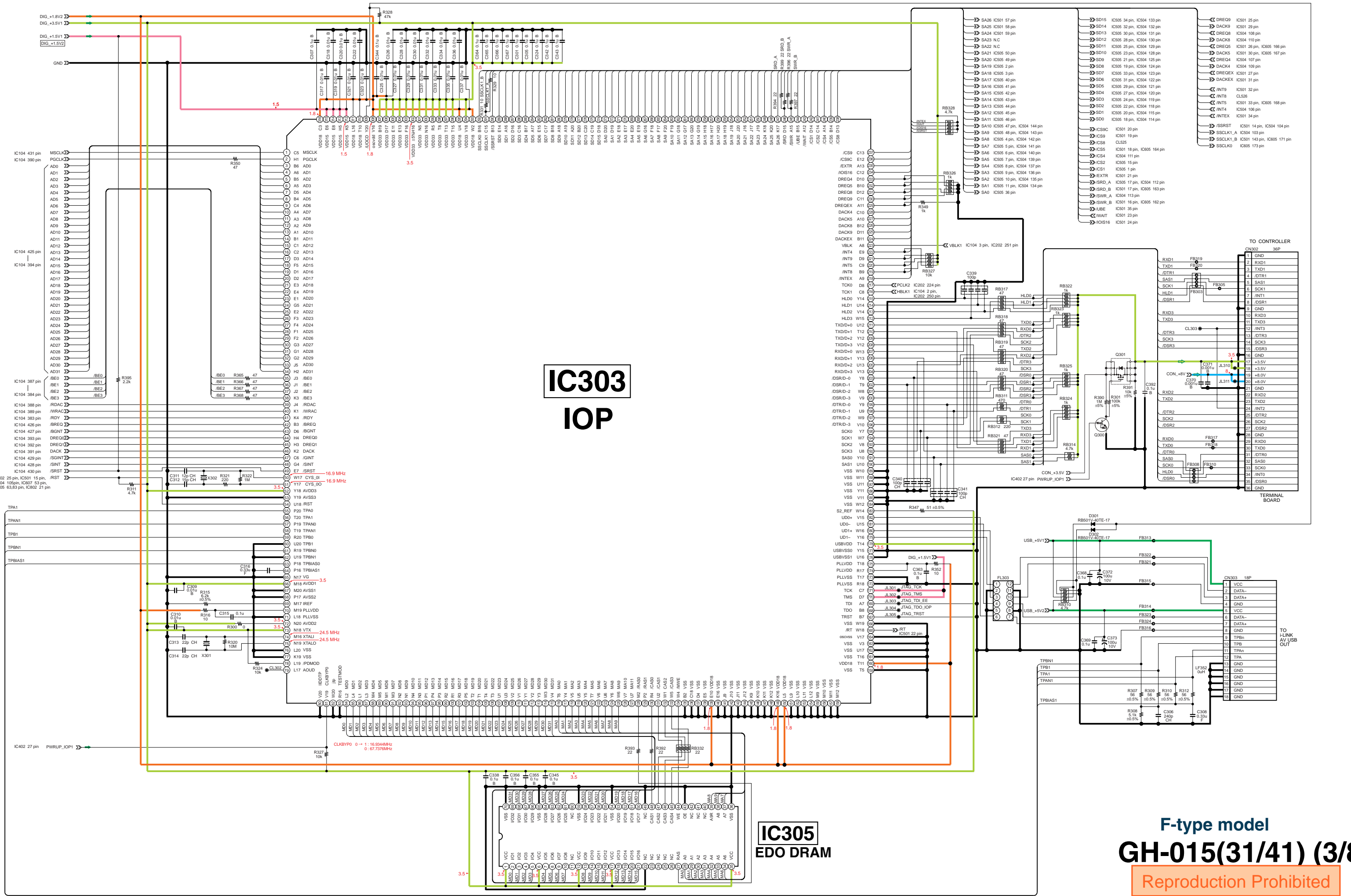
Unit of voltage is V (volt)

- | | |
|---|---|
| • +12V :  | • +3.3V :  |
| • +8.0V :  | • +2.5V :  |
| • +5.0V :  | • +1.8V :  |
| • +3.5V :  | • VC :  |
| • +1.7V :  | • +1.5V :  |
-
- | | |
|---|--|
| • IN :  | • Main Signal Line :  |
| • OUT :  | |



F-type model
GH-015 (31/41) (2/8)

Reproduction Prohibited

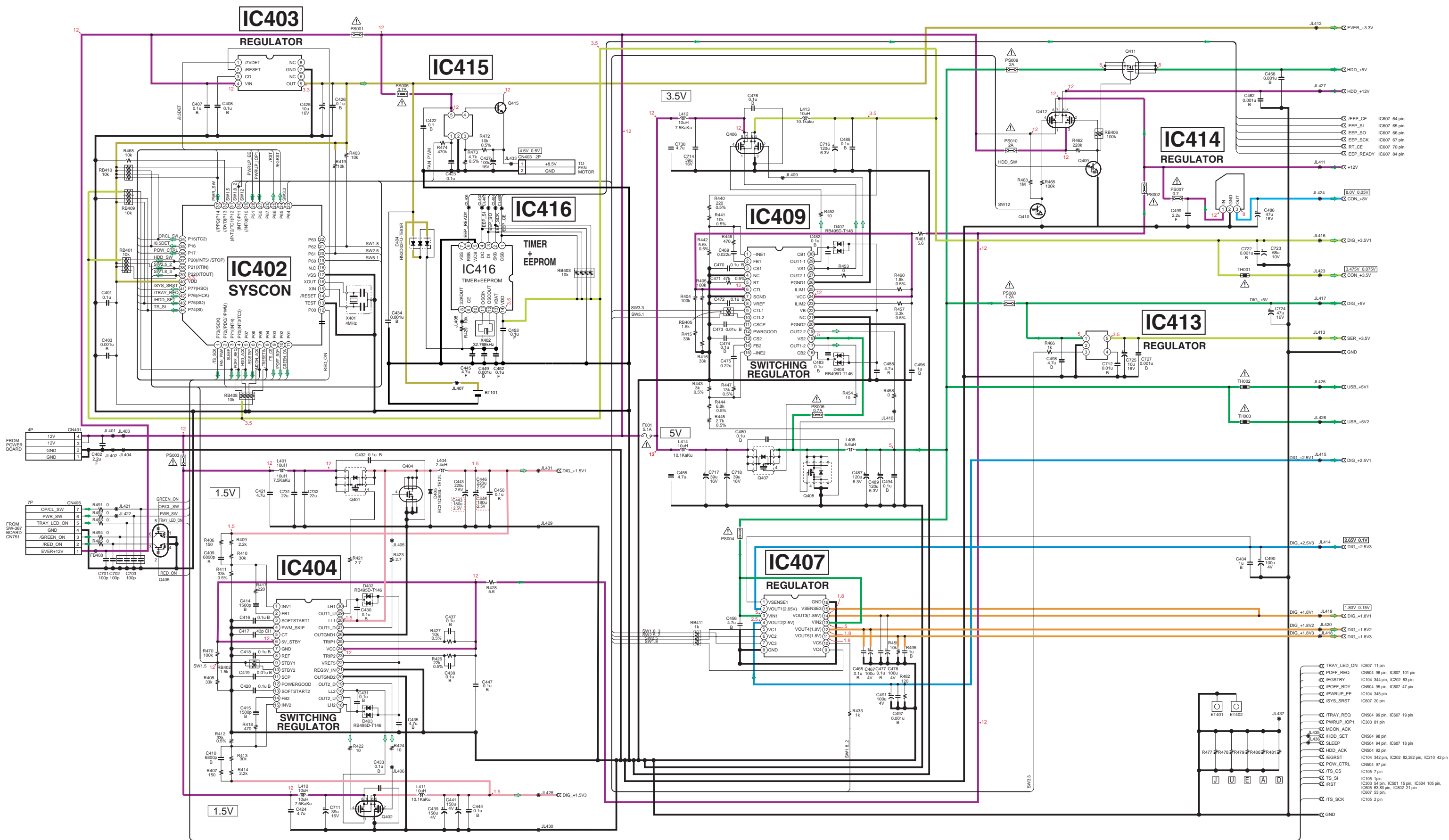


IC303 IOP

IC305 EDO DRAM

F-type model
GH-015(31/41) (3/8)

Reproduction Prohibited



F-type model
GH-015(31/41) (4/8)
 Reproduction Prohibited

IC505
BOOT+DVD ROM

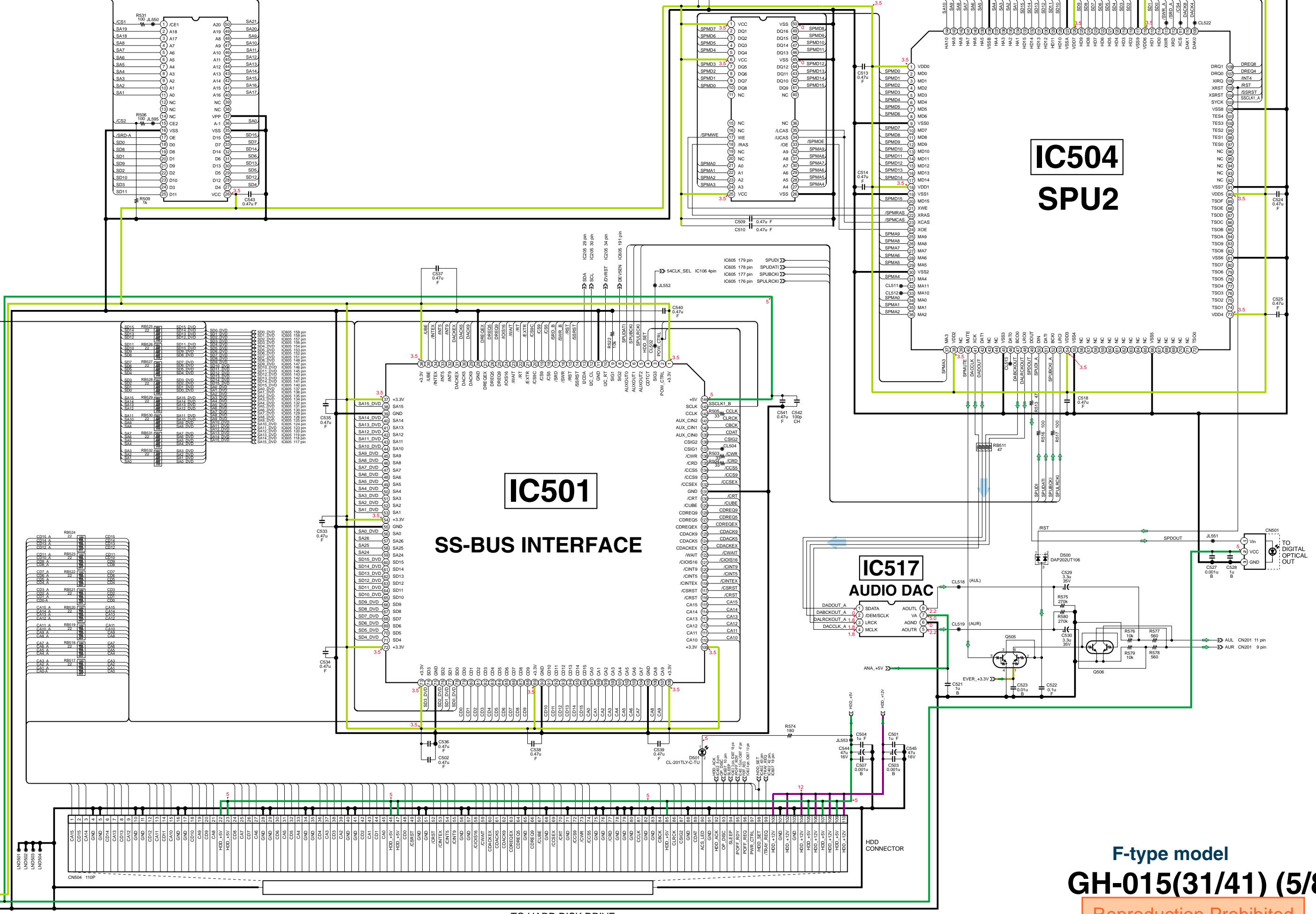
IC502
DRAM

IC504
SPU2

IC501
SS-BUS INTERFACE

IC517
AUDIO DAC

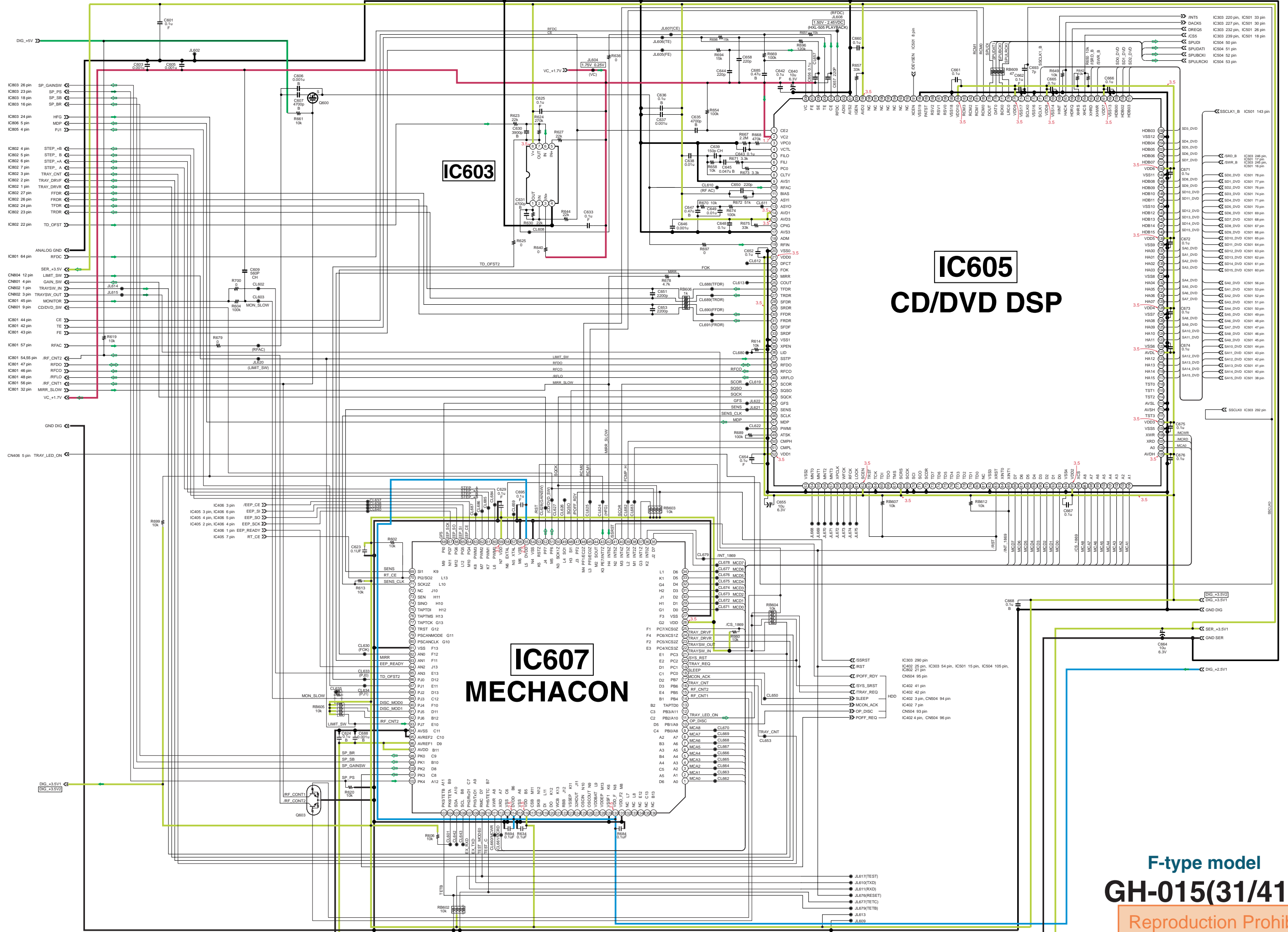
- IC303 239 pin, IC605 164 pin, IC505
- IC303 220 pin, IC605 168 pin, /INT5
- IC303 232 pin, IC605 166 pin, DREQ05
- IC303 227 pin, IC605 167 pin, DACK5
- IC303 237 pin, IC605 237 pin, /CS9
- IC303 221 pin, /INT9
- IC303 230 pin, DREQ09
- IC303 225 pin, DACK9
- IC303 240 pin, /CS4
- IC303 222 pin, /INT4
- IC303 233 pin, DREQ04
- IC303 228 pin, DACK4
- IC303 243 pin, /WAIT
- IC303 166 pin, /RT
- IC303 231 pin, DREQ08
- IC303 226 pin, DACK8
- IC303 242 pin, /CS1
- IC303 241 pin, /CS2
- IC303 236 pin, /EXTR
- IC303 218 pin, /INTEX
- IC303 236 pin, /CS9C
- IC303 234 pin, /IOIS16
- IC303 244 pin, /LBE
- IC303 224 pin, DACKEX
- IC303 229 pin, DREQEX
- IC303 257 pin, SA16
- IC303 256 pin, SA17
- IC303 255 pin, SA18
- IC303 254 pin, SA19
- IC303 253 pin, SA20
- IC303 252 pin, SA21
- IC303 251 pin, SA22
- IC303 250 pin, SA23
- IC303 249 pin, SA24
- IC303 248 pin, SA25
- IC303 247 pin, SA26
- IC303 292 pin, IC605 173 pin, SSCLK0
- IC303 238 pin, /CS8
- IC303 219 pin, /INT8
- IC303 273 pin, SA8
- IC303 258 pin, SA10
- IC303 277 pin, SA7
- IC303 276 pin, SA6
- IC303 275 pin, SA5
- IC303 274 pin, SA4
- IC303 273 pin, SA3
- IC303 272 pin, SA2
- IC303 271 pin, SA1
- IC303 246 pin, /SRD_A
- IC303 245 pin, /SRD_B
- IC303 245 pin, /SWR_A
- IC303 245 pin, /SWR_B
- IC303 54 pin, IC402 25 pin, /RST
- IC307 53 pin, IC505 83.83 pin, /CS2
- IC307 41 pin, IC303 290 pin, /SSRST
- IC303 291 pin, IC605 171 pin, SSCLK1_B
- IC303 291 pin, IC605 171 pin, SSCLK1_B
- IC402 36 pin, POW_CTRL
- IC303 239 pin, IC605 164 pin, IC505
- IC303 220 pin, IC605 168 pin, /INT5
- IC303 232 pin, IC605 166 pin, DREQ05
- IC303 227 pin, IC605 167 pin, DACK5
- IC303 237 pin, IC605 237 pin, /CS9
- IC303 221 pin, /INT9
- IC303 230 pin, DREQ09
- IC303 225 pin, DACK9
- IC303 240 pin, /CS4
- IC303 222 pin, /INT4
- IC303 233 pin, DREQ04
- IC303 228 pin, DACK4
- IC303 243 pin, /WAIT
- IC303 166 pin, /RT
- IC303 231 pin, DREQ08
- IC303 226 pin, DACK8
- IC303 242 pin, /CS1
- IC303 241 pin, /CS2
- IC303 236 pin, /EXTR
- IC303 218 pin, /INTEX
- IC303 236 pin, /CS9C
- IC303 234 pin, /IOIS16
- IC303 244 pin, /LBE
- IC303 224 pin, DACKEX
- IC303 229 pin, DREQEX
- IC303 257 pin, SA16
- IC303 256 pin, SA17
- IC303 255 pin, SA18
- IC303 254 pin, SA19
- IC303 253 pin, SA20
- IC303 252 pin, SA21
- IC303 251 pin, SA22
- IC303 250 pin, SA23
- IC303 249 pin, SA24
- IC303 248 pin, SA25
- IC303 247 pin, SA26
- IC303 292 pin, IC605 173 pin, SSCLK0
- IC303 238 pin, /CS8
- IC303 219 pin, /INT8
- IC303 273 pin, SA8
- IC303 258 pin, SA10
- IC303 277 pin, SA7
- IC303 276 pin, SA6
- IC303 275 pin, SA5
- IC303 274 pin, SA4
- IC303 273 pin, SA3
- IC303 272 pin, SA2
- IC303 271 pin, SA1
- IC303 246 pin, /SRD_A
- IC303 245 pin, /SRD_B
- IC303 245 pin, /SWR_A
- IC303 245 pin, /SWR_B
- IC303 54 pin, IC402 25 pin, /RST
- IC307 53 pin, IC505 83.83 pin, /CS2
- IC307 41 pin, IC303 290 pin, /SSRST
- IC303 291 pin, IC605 171 pin, SSCLK1_B
- IC303 291 pin, IC605 171 pin, SSCLK1_B
- IC402 36 pin, POW_CTRL



TO HARD DISK DRIVE

F-type model
GH-015(31/41) (5/8)

Reproduction Prohibited



IC806

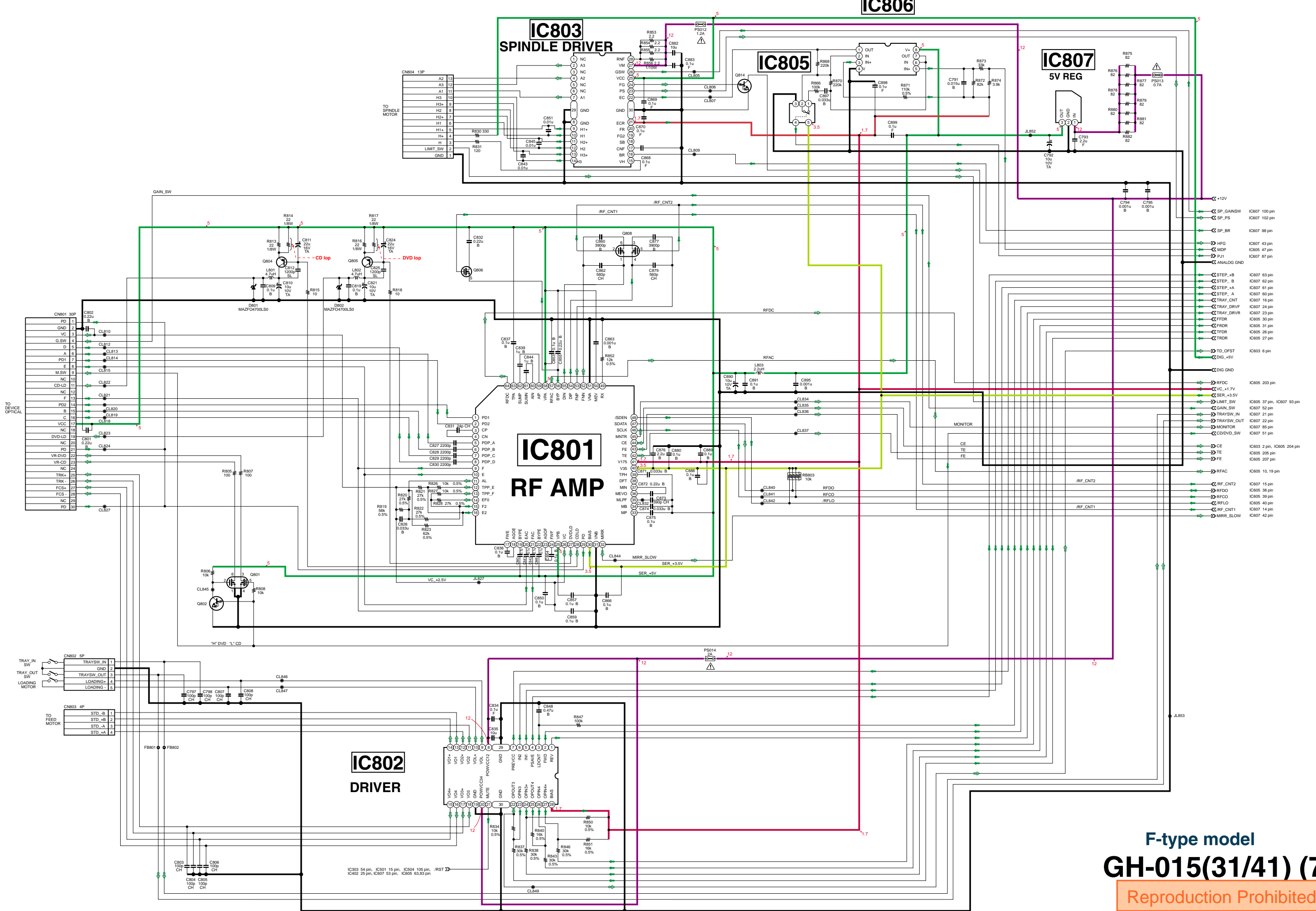
IC803
SPINDLE DRIVER

IC805

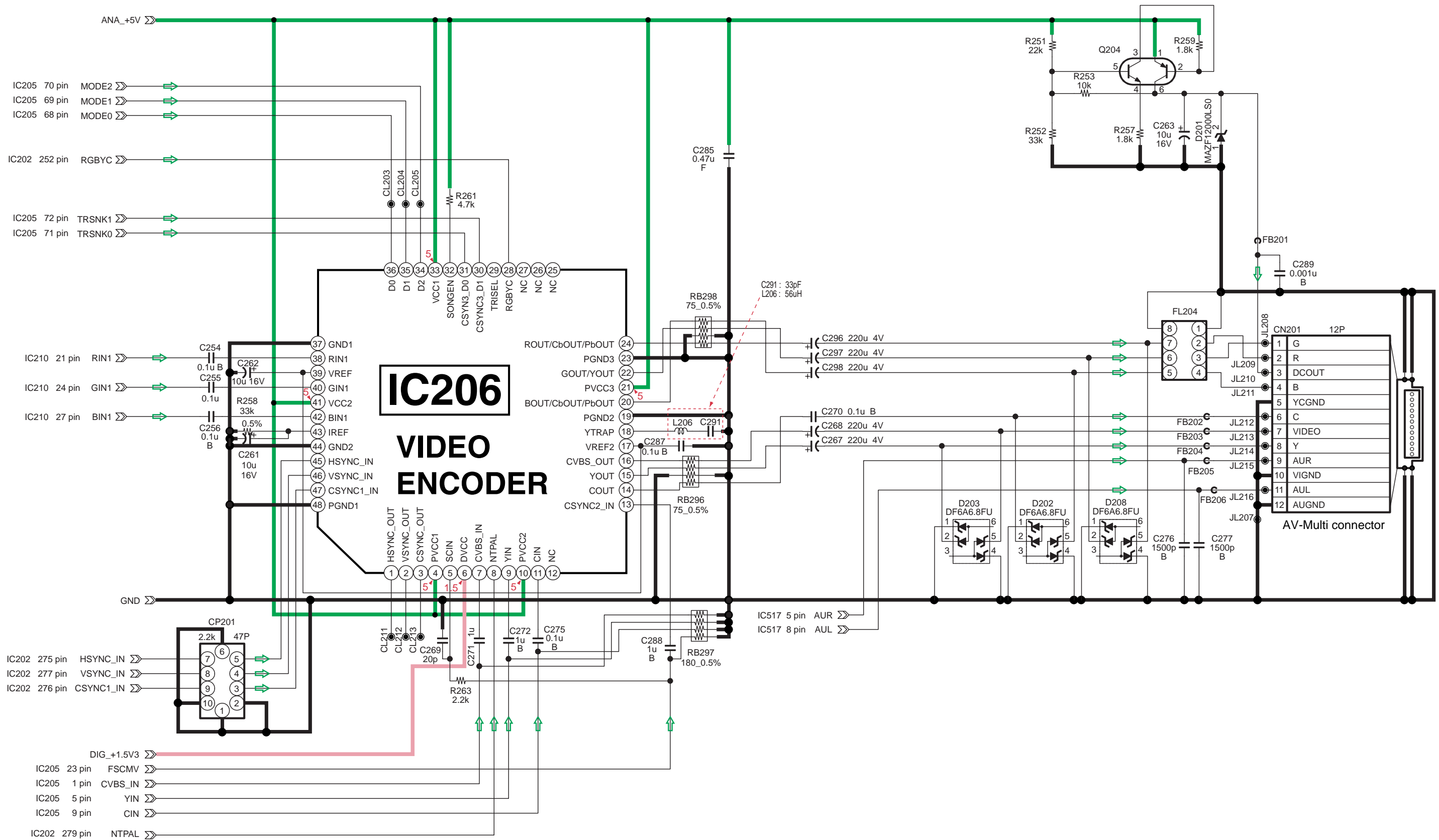
IC807
5V REG

IC801
RF AMP

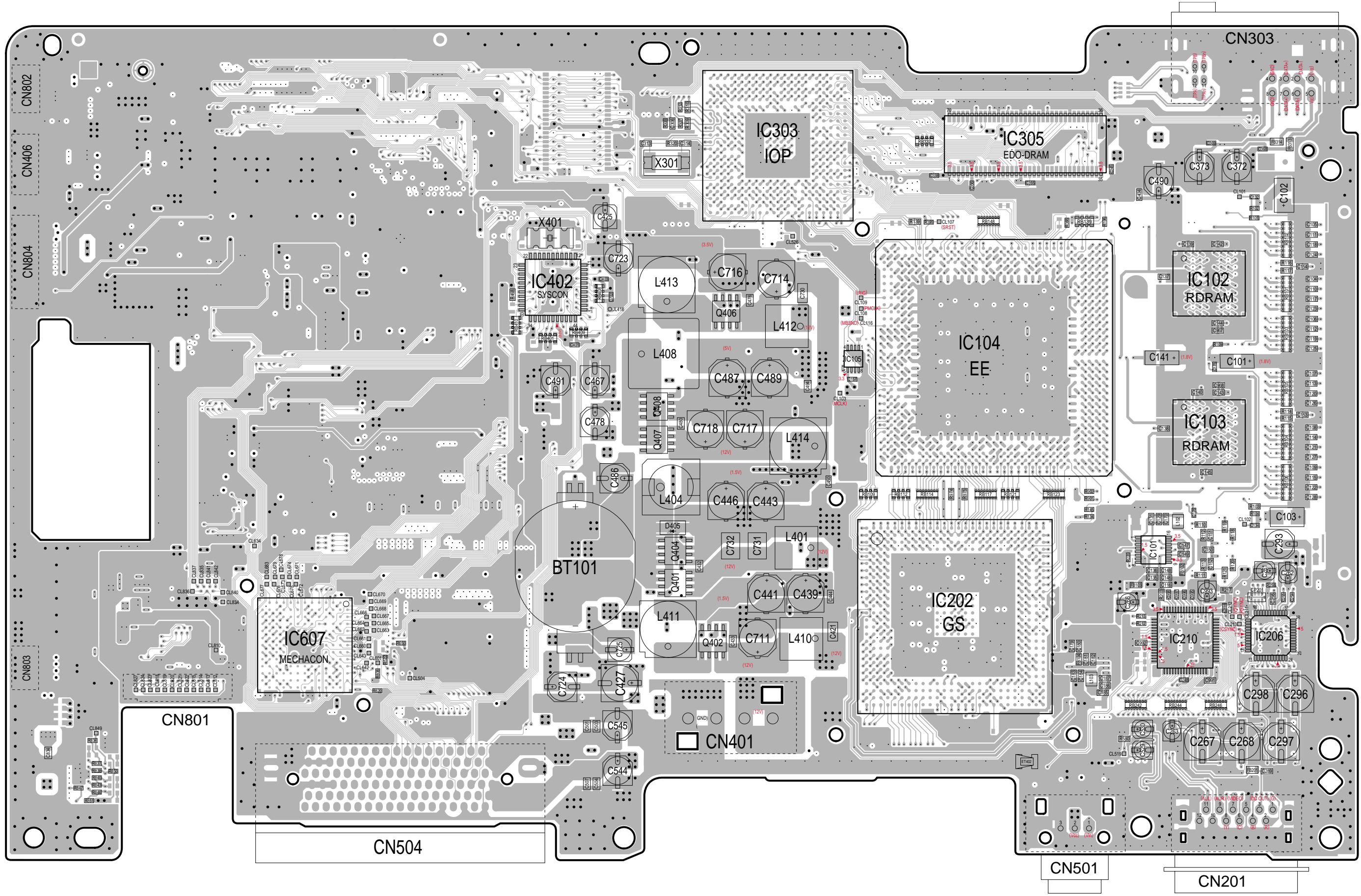
IC802
DRIVER



F-type model
GH-015(31/41) (7/8)
 Reproduction Prohibited

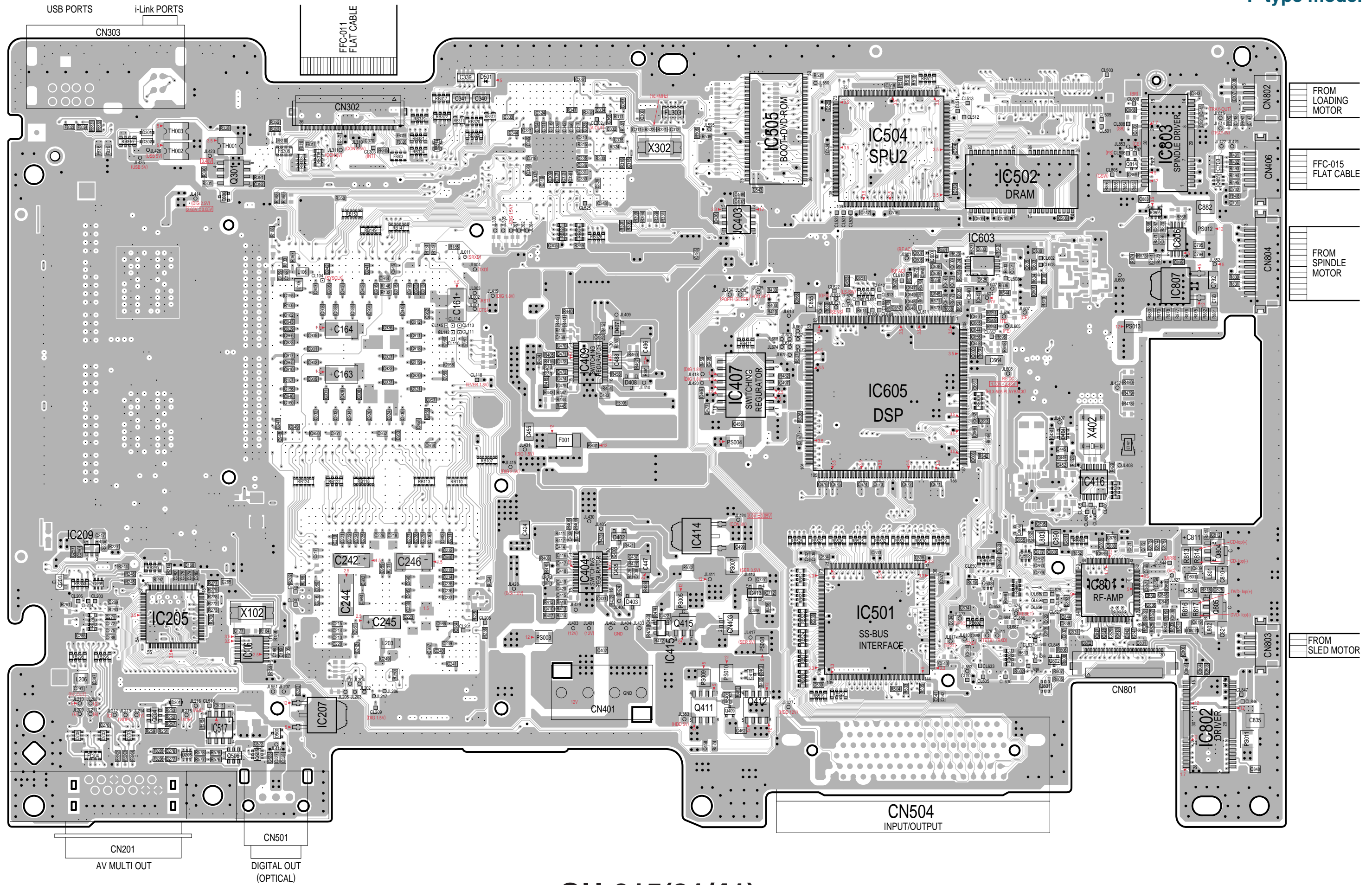


F-type model
GH-015(31/41) (8/8)
 Reproduction Prohibited



GH-015(31/41)

A side



FROM
LOADING
MOTOR

FFC-015
FLAT CABLE

FROM
SPINDLE
MOTOR

FROM
SLED MOTOR

GH-015(31/41)

B side

Reproduction Prohibited

ELECTRICAL PARTS LIST

Ref.	Part No.	Description	Ref.	Part No.	Description	Ref.	Part No.	Description	Ref.	Part No.	Description
PWB	1-683-434-31	PWB, GH-015	C164	1-128-964-91	CAP, CHIP TANTALUM ELECT 100MF	C270	1-107-826-91	CAP, CHIP CERAMIC 100000PF B	C364	1-107-826-91	CAP, CHIP CERAMIC 100000PF B
PWB	1-683-434-41	PWB, GH-015	C168	1-162-964-91	CAP, CHIP CERAMIC 1000PF B (1608)	C271	1-125-837-91	CAP, CHIP CERAMIC 1MF B (1608)	C365	1-107-826-91	CAP, CHIP CERAMIC 100000PF B
BT101	1-756-076-21	HOLDER, LITHIUM BATTERY <CAPACITOR>	C170	1-125-837-91	CAP, CHIP CERAMIC 1MF B (1608)	C272	1-125-837-91	CAP, CHIP CERAMIC 1MF B (1608)	C366	1-107-826-91	CAP, CHIP CERAMIC 100000PF B
C101	1-128-964-91	CAP, CHIP TANTALUM ELECT 100MF	C175	1-125-777-81	CAP, CHIP CERAMIC 0.1MF B (1005)	C275	1-107-826-91	CAP, CHIP CERAMIC 100000PF B	C367	1-107-826-91	CAP, CHIP CERAMIC 100000PF B
C102	1-128-964-91	CAP, CHIP TANTALUM ELECT 100MF	C176	1-125-777-81	CAP, CHIP CERAMIC 0.1MF B (1005)	C276	1-162-965-91	CAP, CERAMIC 1500PF B (1608)	C368	1-125-777-81	CAP, CHIP CERAMIC 0.1MF B (1005)
C103	1-128-964-91	CAP, CHIP TANTALUM ELECT 100MF	C177	1-216-861-91	RES, CHIP 2.2M (1608)	C277	1-162-965-91	CAP, CERAMIC 1500PF B (1608)	C369	1-125-777-81	CAP, CHIP CERAMIC 0.1MF B (1005)
C104	1-107-826-91	CAP, CHIP CERAMIC 100000PF B	C179	1-107-826-91	CAP, CHIP CERAMIC 100000PF B	C278	1-113-619-91	CAP, CERAMIC 470000PF F (1608)	C370	1-162-964-91	CAP, CHIP CERAMIC 1000PF B (1608)
C105	1-107-826-91	CAP, CHIP CERAMIC 100000PF B	C180	1-162-964-91	CAP, CHIP CERAMIC 1000PF B (1608)	C279	1-113-619-91	CAP, CERAMIC 470000PF F (1608)	C371	1-162-964-91	CAP, CHIP CERAMIC 1000PF B (1608)
C106	1-107-826-91	CAP, CHIP CERAMIC 100000PF B	C181	1-107-826-91	CAP, CHIP CERAMIC 100000PF B	C282	1-113-619-91	CAP, CERAMIC 470000PF F (1608)	C372	1-165-492-21	CAP, ELECT 100MF
C107	1-107-826-91	CAP, CHIP CERAMIC 100000PF B	C182	1-162-964-91	CAP, CHIP CERAMIC 1000PF B (1608)	C285	1-113-619-91	CAP, CERAMIC 470000PF F (1608)	C373	1-165-492-21	CAP, ELECT 100MF
C108	1-107-826-91	CAP, CHIP CERAMIC 100000PF B	C183	1-107-826-91	CAP, CHIP CERAMIC 100000PF B	C286	1-113-619-91	CAP, CERAMIC 470000PF F (1608)	C392	1-107-826-91	CAP, CHIP CERAMIC 100000PF B
C109	1-107-826-91	CAP, CHIP CERAMIC 100000PF B	C184	1-162-964-91	CAP, CHIP CERAMIC 1000PF B (1608)	C287	1-107-826-91	CAP, CHIP CERAMIC 100000PF B	C401	1-125-777-81	CAP, CHIP CERAMIC 0.1MF B (1005)
C110	1-107-826-91	CAP, CHIP CERAMIC 100000PF B	C185	1-125-837-91	CAP, CHIP CERAMIC 1MF B (1608)	C288	1-125-837-91	CAP, CHIP CERAMIC 1MF B (1608)	C402	1-164-505-91	CAP, CHIP CERAMIC 2.2MF F (2012)
C111	1-107-826-91	CAP, CHIP CERAMIC 100000PF B	C186	1-107-826-91	CAP, CHIP CERAMIC 100000PF B	C289	1-162-964-91	CAP, CHIP CERAMIC 1000PF B (1608)	C403	1-164-937-81	CAP, CHIP CERAMIC 1000PF B (1005)
C112	1-107-826-91	CAP, CHIP CERAMIC 100000PF B	C187	1-162-970-91	CAP, CERAMIC 100000PF B (1608)	C290	1-113-619-91	CAP, CERAMIC 470000PF F (1608)	C404	1-125-837-91	CAP, CHIP CERAMIC 1MF B (1608)
C113	1-107-826-91	CAP, CHIP CERAMIC 100000PF B	C188	1-162-964-91	CAP, CHIP CERAMIC 1000PF B (1608)	C291	1-162-921-91	CAP, CERAMIC 33PF CH (1608)	C407	1-107-826-91	CAP, CHIP CERAMIC 100000PF B
C114	1-107-826-91	CAP, CHIP CERAMIC 100000PF B	C189	1-107-826-91	CAP, CHIP CERAMIC 100000PF B (1608)	C292	1-107-826-91	CAP, CHIP CERAMIC 100000PF B (1608)	C408	1-107-826-91	CAP, CHIP CERAMIC 100000PF B
C115	1-107-826-91	CAP, CHIP CERAMIC 100000PF B	C212	1-107-826-91	CAP, CHIP CERAMIC 100000PF B (1608)	C293	1-137-765-21	CAP, ELECT 47MF	C409	1-162-969-91	CAP, CERAMIC 6800PF B (1608)
C116	1-107-826-91	CAP, CHIP CERAMIC 100000PF B	C213	1-107-826-91	CAP, CHIP CERAMIC 100000PF B (1608)	C296	1-126-210-21	CAP, ELECT 220MF	C410	1-162-969-91	CAP, CERAMIC 6800PF B (1608)
C117	1-107-826-91	CAP, CHIP CERAMIC 100000PF B	C214	1-107-826-91	CAP, CHIP CERAMIC 100000PF B (1608)	C297	1-126-210-21	CAP, ELECT 220MF	C414	1-162-965-91	CAP, CERAMIC 1500PF B (1608)
C118	1-107-826-91	CAP, CHIP CERAMIC 100000PF B	C215	1-107-826-91	CAP, CHIP CERAMIC 100000PF B (1608)	C298	1-126-210-21	CAP, ELECT 220MF	C415	1-162-965-91	CAP, CERAMIC 1500PF B (1608)
C119	1-107-826-91	CAP, CHIP CERAMIC 100000PF B	C216	1-107-826-91	CAP, CHIP CERAMIC 100000PF B (1608)	C301	1-107-826-91	CAP, CHIP CERAMIC 100000PF B	C416	1-107-826-91	CAP, CHIP CERAMIC 100000PF B
C120	1-107-826-91	CAP, CHIP CERAMIC 100000PF B	C217	1-107-826-91	CAP, CHIP CERAMIC 100000PF B (1608)	C305	1-107-826-91	CAP, CHIP CERAMIC 100000PF B	C417	1-164-379-91	CAP, CERAMIC 43PF CH (1608)
C121	1-107-826-91	CAP, CHIP CERAMIC 100000PF B	C218	1-107-826-91	CAP, CHIP CERAMIC 100000PF B (1608)	C306	1-164-387-91	CAP, CERAMIC 240PF CH (1608)	C418	1-107-826-91	CAP, CHIP CERAMIC 100000PF B
C122	1-107-826-91	CAP, CHIP CERAMIC 100000PF B	C219	1-107-826-91	CAP, CHIP CERAMIC 100000PF B (1608)	C307	1-107-826-91	CAP, CHIP CERAMIC 100000PF B	C419	1-162-970-91	CAP, CERAMIC 100000PF B (1608)
C123	1-107-826-91	CAP, CHIP CERAMIC 100000PF B	C220	1-107-826-91	CAP, CHIP CERAMIC 100000PF B (1608)	C308	1-165-112-91	CAP, CERAMIC 330000PF F (1608)	C420	1-107-826-91	CAP, CHIP CERAMIC 100000PF B
C124	1-107-826-91	CAP, CHIP CERAMIC 100000PF B	C221	1-107-826-91	CAP, CHIP CERAMIC 100000PF B (1608)	C309	1-162-970-91	CAP, CERAMIC 10000PF B (1608)	C421	1-127-820-91	CAP, SQUARE TYPE CHIP 4.7MF
C125	1-107-826-91	CAP, CHIP CERAMIC 100000PF B	C222	1-107-826-91	CAP, CHIP CERAMIC 100000PF B (1608)	C310	1-162-970-91	CAP, CERAMIC 10000PF B (1608)	C422	1-107-826-91	CAP, CHIP CERAMIC 100000PF B
C126	1-107-826-91	CAP, CHIP CERAMIC 100000PF B	C223	1-107-826-91	CAP, CHIP CERAMIC 100000PF B (1608)	C311	1-162-916-91	CAP, CERAMIC 12PF CH (1608)	C423	1-107-826-91	CAP, CHIP CERAMIC 100000PF B
C127	1-107-826-91	CAP, CHIP CERAMIC 100000PF B	C224	1-107-826-91	CAP, CHIP CERAMIC 100000PF B (1608)	C312	1-162-917-91	CAP, CERAMIC 15PF CH (1608)	C424	1-127-820-91	CAP, SQUARE TYPE CHIP 4.7MF
C128	1-107-826-91	CAP, CHIP CERAMIC 100000PF B	C225	1-107-826-91	CAP, CHIP CERAMIC 100000PF B (1608)	C313	1-162-919-91	CAP, CERAMIC 22PF CH (1608)	C425	1-124-779-21	CAP, ELECT 10MF
C129	1-107-826-91	CAP, CHIP CERAMIC 100000PF B	C226	1-107-826-91	CAP, CHIP CERAMIC 100000PF B (1608)	C314	1-162-919-91	CAP, CERAMIC 22PF CH (1608)	C426	1-107-826-91	CAP, CHIP CERAMIC 100000PF B
C131	1-162-970-91	CAP, CERAMIC 10000PF B (1608)	C227	1-125-837-91	CAP, CHIP CERAMIC 1MF B (1608)	C315	1-107-826-91	CAP, CHIP CERAMIC 100000PF B	C427	1-117-681-21	CAP, ELECT 100MF
C132	1-125-777-81	CAP, CHIP CERAMIC 0.1MF B (1005)	C228	1-125-837-91	CAP, CHIP CERAMIC 1MF B (1608)	C316	1-165-112-91	CAP, CERAMIC 330000PF F (1608)	C430	1-107-826-91	CAP, CHIP CERAMIC 100000PF B
C134	1-125-777-81	CAP, CHIP CERAMIC 0.1MF B (1005)	C229	1-125-837-91	CAP, CHIP CERAMIC 1MF B (1608)	C317	1-162-970-91	CAP, CERAMIC 10000PF B (1608)	C431	1-107-826-91	CAP, CHIP CERAMIC 100000PF B
C135	1-107-826-91	CAP, CHIP CERAMIC 100000PF B	C230	1-125-837-91	CAP, CHIP CERAMIC 1MF B (1608)	C318	1-162-970-91	CAP, CERAMIC 10000PF B (1608)	C432	1-107-725-91	CAP, CERAMIC 100000PF B (2012)
C136	1-162-964-91	CAP, CHIP CERAMIC 1000PF B (1608)	C231	1-107-826-91	CAP, CHIP CERAMIC 100000PF B (1608)	C319	1-162-970-91	CAP, CERAMIC 10000PF B (1608)	C433	1-107-725-91	CAP, CERAMIC 100000PF B (2012)
C137	1-107-826-91	CAP, CHIP CERAMIC 100000PF B	C232	1-107-826-91	CAP, CHIP CERAMIC 100000PF B (1608)	C320	1-162-970-91	CAP, CERAMIC 10000PF B (1608)	C434	1-162-964-91	CAP, CHIP CERAMIC 1000PF B (1608)
C138	1-107-826-91	CAP, CHIP CERAMIC 100000PF B	C233	1-107-826-91	CAP, CHIP CERAMIC 100000PF B (1608)	C321	1-162-970-91	CAP, CERAMIC 10000PF B (1608)	C435	1-115-566-91	CAP, CERAMIC 4.7MF B
C139	1-107-826-91	CAP, CHIP CERAMIC 100000PF B	C234	1-107-826-91	CAP, CHIP CERAMIC 100000PF B (1608)	C322	1-162-970-91	CAP, CERAMIC 10000PF B (1608)	C437	1-107-826-91	CAP, CHIP CERAMIC 100000PF B
C140	1-107-826-91	CAP, CHIP CERAMIC 100000PF B	C235	1-107-826-91	CAP, CHIP CERAMIC 100000PF B (1608)	C323	1-162-970-91	CAP, CERAMIC 10000PF B (1608)	C438	1-107-826-91	CAP, CHIP CERAMIC 100000PF B
C141	1-128-964-91	CAP, CHIP TANTALUM ELECT 100MF	C236	1-107-826-91	CAP, CHIP CERAMIC 100000PF B (1608)	C324	1-107-826-91	CAP, CHIP CERAMIC 100000PF B	C439	1-165-643-21	CAP, ELECT 150MF
C142	1-107-826-91	CAP, CHIP CERAMIC 100000PF B	C237	1-107-826-91	CAP, CHIP CERAMIC 100000PF B (1608)	C325	1-162-970-91	CAP, CERAMIC 10000PF B (1608)	C441	1-165-643-21	CAP, ELECT 150MF
C143	1-107-826-91	CAP, CHIP CERAMIC 100000PF B	C238	1-107-826-91	CAP, CHIP CERAMIC 100000PF B (1608)	C326	1-162-970-91	CAP, CERAMIC 10000PF B (1608)	C443	1-165-880-21	CAP, ELECT 220MF
C144	1-107-826-91	CAP, CHIP CERAMIC 100000PF B	C239	1-107-826-91	CAP, CHIP CERAMIC 100000PF B (1608)	C327	1-162-970-91	CAP, CERAMIC 10000PF B (1608)	C443	1-165-941-21	CAP, ELECT 180MF
C145	1-107-826-91	CAP, CHIP CERAMIC 100000PF B	C240	1-107-826-91	CAP, CHIP CERAMIC 100000PF B (1608)	C328	1-162-970-91	CAP, CERAMIC 10000PF B (1608)	C444	1-107-826-91	CAP, CHIP CERAMIC 100000PF B
C146	1-162-964-91	CAP, CHIP CERAMIC 1000PF B (1608)	C241	1-107-826-91	CAP, CHIP CERAMIC 100000PF B (1608)	C329	1-162-970-91	CAP, CERAMIC 10000PF B (1608)	C445	1-117-720-91	CAP, CERAMIC 4.7MF F (2012)
C147	1-162-964-91	CAP, CHIP CERAMIC 1000PF B (1608)	C242	1-135-609-91	CAP, CHIP TANTALUM ELECT 220MF	C330	1-162-970-91	CAP, CERAMIC 10000PF B (1608)	C446	1-165-880-21	CAP, ELECT 220MF
C148	1-107-826-91	CAP, CHIP CERAMIC 100000PF B	C244	1-128-707-22	CAP, TANTALUM ELECT (SMD)220	C331	1-162-970-91	CAP, CERAMIC 10000PF B (1608)	C446	1-165-941-21	CAP, ELECT 180MF
C149	1-107-826-91	CAP, CHIP CERAMIC 100000PF B	C245	1-128-707-22	CAP, TANTALUM ELECT (SMD)220	C332	1-162-970-91	CAP, CERAMIC 10000PF B (1608)	C447	1-107-682-91	CAP, CERAMIC 1000000PF B (3216)
C150	1-162-970-91	CAP, CERAMIC 10000PF B (1608)	C246	1-135-609-91	CAP, TANTALUM ELECT 220MF	C333	1-162-970-91	CAP, CERAMIC 10000PF B (1608)	C449	1-162-964-91	CAP, CHIP CERAMIC 1000PF B (1608)
C151	1-164-160-91	CAP, CERAMIC 20PF CH (1608)	C247	1-162-970-91	CAP, CERAMIC 10000PF B (1608)	C334	1-162-970-91	CAP, CERAMIC 10000PF B (1608)	C450	1-107-826-91	CAP, CHIP CERAMIC 100000PF B
C152	1-164-160-91	CAP, CERAMIC 20PF CH (1608)	C248	1-125-777-81	CAP, CHIP CERAMIC 0.1MF B (1005)	C335	1-162-970-91	CAP, CERAMIC 10000PF B (1608)	C452	1-164-156-91	CAP, CHIP CERAMIC 0.1MF F (1608)
C153	1-162-970-91	CAP, CERAMIC 10000PF B (1608)	C249	1-115-156-91	CAP, CERAMIC 1000000PF F (1608)	C336	1-162-970-91	CAP, CERAMIC 10000PF B (1608)	C453	1-164-156-91	CAP, CHIP CERAMIC 0.1MF F (1608)
C154	1-162-970-91	CAP, CERAMIC 10000PF B (1608)	C254	1-125-777-81	CAP, CHIP CERAMIC 0.1MF B (1005)	C337	1-162-970-91	CAP, CERAMIC 10000PF B (1608)	C455	1-127-820-91	CAP, SQUARE TYPE CHIP 4.7MF
C155	1-107-826-91	CAP, CHIP CERAMIC 100000PF B	C255	1-125-777-81	CAP, CHIP CERAMIC 0.1MF B (1005)	C338	1-125-777-81	CAP, CHIP CERAMIC 0.1MF B (1005)	C456	1-127-760-91	CAP, CERAMIC 4.7MF (2012)
C156	1-107-826-91	CAP, CHIP CERAMIC 100000PF B	C256	1-107-826-91	CAP, CHIP CERAMIC 100000PF B	C339	1-165-795-21	CAP, CERAMIC 100PF CH (3216)	C458	1-162-964-91	CAP, CHIP CERAMIC 1000PF B (1608)
C157	1-125-777-81	CAP, CHIP CERAMIC 0.1MF B (1005)	C257	1-125-837-91	CAP, CHIP CERAMIC 1MF B (1608)	C340	1-165-795-21	CAP, CERAMIC 100PF CH (3216)	C462	1-163-009-91	CAP, CHIP CERAMIC 1000PF B (2012)
C158	1-162-970-91	CAP, CERAMIC 10000PF B (1608)	C261	1-128-004-21	CAP, ELECT (CHIP) 10MF	C341	1-165-795-21	CAP, CERAMIC 100PF CH (3216)	C465	1-107-826-91	CAP, CHIP CERAMIC 100000PF B
C159	1-107-826-91	CAP, CHIP CERAMIC 100000PF B	C262	1-128-004-21	CAP, ELECT (CHIP) 10MF	C342	1-107-826-91	CAP, CHIP CERAMIC 100000PF B	C467	1-12	

Ref.	Part No.	Description	
C475	1-164-227-91	CAP, CERAMIC 22000PF B	(1608)
C476	1-107-725-91	CAP, CERAMIC 100000PF B	(2012)
C477	1-107-826-91	CAP, CHIP CERAMIC 100000PF B	
C478	1-126-209-21	CAP, ELECT 100MF	
C480	1-107-725-91	CAP, CERAMIC 100000PF B	(2012)
C482	1-107-826-91	CAP, CHIP CERAMIC 100000PF B	
C483	1-107-826-91	CAP, CHIP CERAMIC 100000PF B	
C485	1-107-826-91	CAP, CHIP CERAMIC 100000PF B	
C486	1-137-765-21	CAP, ELECT 47MF	
C487	1-165-874-21	CAP, ELECT 120MF	
C488	1-115-566-91	CAP, CERAMIC 4.7MF B	
C489	1-165-874-21	CAP, ELECT 120MF	
C490	1-126-209-21	CAP, ELECT 100MF	
C491	1-126-209-21	CAP, ELECT 100MF	
C494	1-107-725-91	CAP, CERAMIC 100000PF B	(2012)
C495	1-125-837-91	CAP, CHIP CERAMIC 1MF B	(1608)
C496	1-107-682-91	CAP, CERAMIC 1000000PF B	(3216)
C497	1-162-964-91	CAP, CHIP CERAMIC 1000PF B	(1608)
C498	1-127-760-91	CAP, CERAMIC 4.7MF	(2012)
C499	1-164-505-91	CAP, CHIP CERAMIC 2.2MF F	(2012)
C501	1-164-346-91	CAP, CHIP CERAMIC 1MF F	(2012)
C502	1-113-619-91	CAP, CERAMIC 470000PF F	(1608)
C503	1-163-009-91	CAP, CHIP CERAMIC 1000PF B	(2012)
C504	1-164-346-91	CAP, CHIP CERAMIC 1MF F	(2012)
C507	1-163-009-91	CAP, CHIP CERAMIC 1000PF B	(2012)
C508	1-113-619-91	CAP, CERAMIC 470000PF F	(1608)
C509	1-113-619-91	CAP, CERAMIC 470000PF F	(1608)
C510	1-113-619-91	CAP, CERAMIC 470000PF F	(1608)
C513	1-113-619-91	CAP, CERAMIC 470000PF F	(1608)
C514	1-113-619-91	CAP, CERAMIC 470000PF F	(1608)
C516	1-113-619-91	CAP, CERAMIC 470000PF F	(1608)
C517	1-113-619-91	CAP, CERAMIC 470000PF F	(1608)
C518	1-113-619-91	CAP, CERAMIC 470000PF F	(1608)
C521	1-125-837-91	CAP, CHIP CERAMIC 1MF B	(1608)
C522	1-164-156-91	CAP, CHIP CERAMIC 0.1MF F	(1608)
C523	1-162-970-91	CAP, CERAMIC 10000PF B	(1608)
C524	1-113-619-91	CAP, CERAMIC 470000PF F	(1608)
C525	1-113-619-91	CAP, CERAMIC 470000PF F	(1608)
C527	1-162-964-91	CAP, CHIP CERAMIC 1000PF B	(1608)
C528	1-125-837-91	CAP, CHIP CERAMIC 1MF B	(1608)
C529	1-128-008-21	CAP, ELECT (CHIP) 3.3MF	
C530	1-128-008-21	CAP, ELECT (CHIP) 3.3MF	
C533	1-113-619-91	CAP, CERAMIC 470000PF F	(1608)
C534	1-113-619-91	CAP, CERAMIC 470000PF F	(1608)
C535	1-113-619-91	CAP, CERAMIC 470000PF F	(1608)
C536	1-113-619-91	CAP, CERAMIC 470000PF F	(1608)
C537	1-113-619-91	CAP, CERAMIC 470000PF F	(1608)
C538	1-113-619-91	CAP, CERAMIC 470000PF F	(1608)
C539	1-113-619-91	CAP, CERAMIC 470000PF F	(1608)
C540	1-113-619-91	CAP, CERAMIC 470000PF F	(1608)
C541	1-113-619-91	CAP, CERAMIC 470000PF F	(1608)
C542	1-162-927-91	CAP, CERAMIC 100PF CH	(1608)
C543	1-113-619-91	CAP, CERAMIC 470000PF F	(1608)
C544	1-137-765-21	CAP, ELECT 47MF	
C545	1-137-765-21	CAP, ELECT 47MF	
C601	1-164-156-91	CAP, CHIP CERAMIC 0.1MF F	(1608)
C603	1-162-964-91	CAP, CHIP CERAMIC 1000PF B	(1608)
C605	1-162-964-91	CAP, CHIP CERAMIC 1000PF B	(1608)
C606	1-162-964-91	CAP, CHIP CERAMIC 1000PF B	(1608)
C607	1-162-968-91	CAP, CHIP CERAMIC 4700PF B	(1608)
C609	1-164-739-91	CAP, CERAMIC 560PF CH	(1608)
C623	1-164-156-91	CAP, CHIP CERAMIC 0.1MF F	(1608)
C624	1-107-826-91	CAP, CHIP CERAMIC 100000PF B	
C625	1-164-156-91	CAP, CHIP CERAMIC 0.1MF F	(1608)
C629	1-164-156-91	CAP, CHIP CERAMIC 0.1MF F	(1608)

Ref.	Part No.	Description	
C630	1-164-173-91	CAP, CERAMIC 3900PF B	(1608)
C631	1-162-968-91	CAP, CHIP CERAMIC 4700PF B	(1608)
C633	1-164-156-91	CAP, CHIP CERAMIC 0.1MF F	(1608)
C634	1-164-156-91	CAP, CHIP CERAMIC 0.1MF F	(1608)
C635	1-162-968-91	CAP, CHIP CERAMIC 4700PF B	(1608)
C636	1-107-826-91	CAP, CHIP CERAMIC 100000PF B	
C637	1-162-964-91	CAP, CHIP CERAMIC 1000PF B	(1608)
C638	1-162-970-91	CAP, CERAMIC 10000PF B	(1608)
C639	1-164-217-91	CAP, CERAMIC 150PF CH	(1608)
C640	1-135-259-91	CAP, CHIP TANTALUM ELECT 10MF	
C642	1-164-156-91	CAP, CHIP CERAMIC 0.1MF F	(1608)
C643	1-107-826-91	CAP, CHIP CERAMIC 100000PF B	
C644	1-164-230-91	CAP, CERAMIC 220PF CH	(1608)
C645	1-165-176-91	CAP, CERAMIC 47000PF B	(1608)
C646	1-162-964-91	CAP, CHIP CERAMIC 1000PF B	(1608)
C647	1-117-863-91	CAP, CHIP CERAMIC 0.47MF B	(1608)
C648	1-164-156-91	CAP, CHIP CERAMIC 0.1MF F	(1608)
C649	1-162-970-91	CAP, CERAMIC 10000PF B	(1608)
C650	1-164-230-91	CAP, CERAMIC 220PF CH	(1608)
C651	1-162-966-91	CAP, CERAMIC 2200PF B	(1608)
C652	1-107-826-91	CAP, CHIP CERAMIC 100000PF B	
C653	1-162-966-91	CAP, CERAMIC 2200PF B	(1608)
C654	1-164-156-91	CAP, CHIP CERAMIC 0.1MF F	(1608)
C655	1-135-259-91	CAP, CHIP TANTALUM ELECT 10MF	
C656	1-164-156-91	CAP, CHIP CERAMIC 0.1MF F	(1608)
C657	1-164-230-91	CAP, CERAMIC 220PF CH	(1608)
C658	1-164-230-91	CAP, CERAMIC 220PF CH	(1608)
C660	1-107-826-91	CAP, CHIP CERAMIC 100000PF B	
C661	1-164-156-91	CAP, CHIP CERAMIC 0.1MF F	(1608)
C662	1-164-156-91	CAP, CHIP CERAMIC 0.1MF F	(1608)
C664	1-135-259-91	CAP, CHIP TANTALUM ELECT 10MF	
C665	1-164-156-91	CAP, CHIP CERAMIC 0.1MF F	(1608)
C666	1-164-156-91	CAP, CHIP CERAMIC 0.1MF F	(1608)
C667	1-164-156-91	CAP, CHIP CERAMIC 0.1MF F	(1608)
C668	1-107-826-91	CAP, CHIP CERAMIC 100000PF B	
C671	1-164-156-91	CAP, CHIP CERAMIC 0.1MF F	(1608)
C672	1-164-156-91	CAP, CHIP CERAMIC 0.1MF F	(1608)
C673	1-164-156-91	CAP, CHIP CERAMIC 0.1MF F	(1608)
C674	1-164-156-91	CAP, CHIP CERAMIC 0.1MF F	(1608)
C675	1-164-156-91	CAP, CHIP CERAMIC 0.1MF F	(1608)
C676	1-164-156-91	CAP, CHIP CERAMIC 0.1MF F	(1608)
C684	1-164-156-91	CAP, CHIP CERAMIC 0.1MF F	(1608)
C685	1-117-863-91	CAP, CHIP CERAMIC 0.47MF B	(1608)
C688	1-162-964-91	CAP, CHIP CERAMIC 1000PF B	(1608)
C693	1-162-912-91	CAP, CERAMIC 7.0PF CH	(1608)
C694	1-164-156-91	CAP, CHIP CERAMIC 0.1MF F	(1608)
C695	1-164-156-91	CAP, CHIP CERAMIC 0.1MF F	(1608)
C701	1-162-927-91	CAP, CERAMIC 100PF CH	(1608)
C702	1-162-927-91	CAP, CERAMIC 100PF CH	(1608)
C703	1-165-795-21	CAP, CERAMIC 100PF CH	(3216)
C711	1-135-346-21	CAP, SOLID ELECT 39MF	
C712	1-162-970-91	CAP, CERAMIC 10000PF B	(1608)
C714	1-135-346-21	CAP, SOLID ELECT 39MF	
C716	1-165-874-21	CAP, ELECT 120MF	
C717	1-135-346-21	CAP, SOLID ELECT 39MF	
C718	1-135-346-21	CAP, SOLID ELECT 39MF	
C722	1-164-937-81	CAP, CHIP CERAMIC 1000PF B	(1005)
C723	1-137-766-21	CAP, ELECT 68MF	
C724	1-137-765-21	CAP, ELECT 47MF	
C725	1-124-779-21	CAP, ELECT 10MF	
C727	1-162-964-91	CAP, CHIP CERAMIC 1000PF B	(1608)
C730	1-127-820-91	CAP, SQUARE TYPE CHIP 4.7MF	
C731	1-165-811-91	CAP, CHIP CERAMIC 22MF B	(4532)
C732	1-165-811-91	CAP, CHIP CERAMIC 22MF B	(4532)
C791	1-164-245-91	CAP, CERAMIC 15000PF B	(1608)

Ref.	Part No.	Description	
C792	1-104-851-91	CAP, CHIP TANTALUM ELECT 10MF	
C793	1-164-505-91	CAP, CHIP CERAMIC 2.2MF F	(2012)
C794	1-163-009-91	CAP, CHIP CERAMIC 1000PF B	(2012)
C795	1-163-009-91	CAP, CHIP CERAMIC 1000PF B	(2012)
C797	1-162-927-91	CAP, CERAMIC 100PF CH	(1608)
C798	1-162-927-91	CAP, CERAMIC 100PF CH	(1608)
C801	1-115-467-91	CAP, CHIP CERAMIC 0.22MF B	(1608)
C802	1-115-467-91	CAP, CHIP CERAMIC 0.22MF B	(1608)
C803	1-162-927-91	CAP, CERAMIC 100PF CH	(1608)
C804	1-162-927-91	CAP, CERAMIC 100PF CH	(1608)
C805	1-162-927-91	CAP, CERAMIC 100PF CH	(1608)
C806	1-162-927-91	CAP, CERAMIC 100PF CH	(1608)
C807	1-162-927-91	CAP, CERAMIC 100PF CH	(1608)
C808	1-162-927-91	CAP, CERAMIC 100PF CH	(1608)
C809	1-107-826-91	CAP, CHIP CERAMIC 100000PF B	
C810	1-104-851-91	CAP, CHIP TANTALUM ELECT 10MF	
C811	1-135-900-21	CAP, TANTALUM ELECT 22MF	
C812	1-164-730-91	CAP, CERAMIC 1200PF B	(1608)
C819	1-107-826-91	CAP, CHIP CERAMIC 100000PF B	
C821	1-104-851-91	CAP, CHIP TANTALUM ELECT 10MF	
C824	1-135-900-21	CAP, TANTALUM ELECT 22MF	
C825	1-164-730-91	CAP, CERAMIC 1200PF B	(1608)
C826	1-164-677-91	CAP, CERAMIC 33000PF B	(1608)
C827	1-162-966-91	CAP, CERAMIC 2200PF B	(1608)
C828	1-162-966-91	CAP, CERAMIC 2200PF B	(1608)
C829	1-162-966-91	CAP, CERAMIC 2200PF B	(1608)
C830	1-162-966-91	CAP, CERAMIC 2200PF B	(1608)
C831	1-162-975-91	CAP, CERAMIC 24PF CH	(1608)
C832	1-115-467-91	CAP, CHIP CERAMIC 0.22MF B	(1608)
C834	1-163-038-91	CAP, CERAMIC 100000PF F	(2012)
C835	1-127-692-91	CAP, CHIP CERAMIC 10MF B	(3225)
C836	1-107-826-91	CAP, CHIP CERAMIC 100000PF B	
C837	1-107-826-91	CAP, CHIP CERAMIC 100000PF B	
C839	1-125-837-91	CAP, CHIP CERAMIC 1MF B	(1608)
C840	1-107-826-91	CAP, CHIP CERAMIC 100000PF B	(1608)
C841	1-107-826-91	CAP, CHIP CERAMIC 100000PF B	(1608)
C842	1-107-826-91	CAP, CHIP CERAMIC 100000PF B	(1608)
C843	1-162-970-91	CAP, CERAMIC 10000PF B	(1608)
C844	1-125-837-91	CAP, CHIP CERAMIC 1MF B	(1608)
C845	1-162-970-91	CAP, CERAMIC 10000PF B	(1608)
C846	1-107-826-91	CAP, CHIP CERAMIC 100000PF B	
C848	1-107-823-91	CAP, CERAMIC 470000PF B	(2012)
C850	1-107-826-91	CAP, CHIP CERAMIC 100000PF B	
C851	1-162-970-91	CAP, CERAMIC 10000PF B	(1608)
C853	1-107-826-91	CAP, CHIP CERAMIC 100000PF B	
C854	1-107-826-91	CAP, CHIP CERAMIC 100000PF B	
C855	1-115-467-91	CAP, CHIP CERAMIC 0.22MF B	(1608)
C857	1-107-826-91	CAP, CHIP CERAMIC 100000PF B	
C859	1-107-826-91	CAP, CHIP CERAMIC 100000PF B	
C860	1-164-173-91	CAP, CERAMIC 3900PF B	(1608)
C862	1-164-739-91	CAP, CERAMIC 560PF CH	(1608)
C863	1-162-964-91	CAP, CHIP CERAMIC 1000PF B	(1608)
C866	1-107-826-91	CAP, CHIP CERAMIC 100000PF B	
C868	1-164-156-91	CAP, CHIP CERAMIC 0.1MF F	(1608)
C869	1-164-156-91	CAP, CHIP CERAMIC 0.1MF F	(1608)
C870	1-164-156-91	CAP, CHIP CERAMIC 0.1MF F	(1608)
C871	1-164-677-91	CAP, CERAMIC 33000PF B	(1608)
C872	1-115-467-91	CAP, CHIP CERAMIC 0.22MF B	(1608)
C873	1-164-392-91	CAP, CERAMIC 390PF CH	(1608)
C874	1-164-677-91	CAP, CERAMIC 33000PF B	(1608)
C875	1-107-826-91	CAP, CHIP CERAMIC 100000PF B	
C876	1-125-838-91	CAP, CHIP CERAMIC 2.2MF B	(2012)
C877	1-164-173-91	CAP, CERAMIC 3900PF B	(1608)
C879	1-164-739-91	CAP, CERAMIC 560PF CH	(1608)
C880	1-107-826-91	CAP, CHIP CERAMIC 100000PF B	

Ref.	Part No.	Description	
C882	1-127-692-91	CAP, CHIP CERAMIC 10MF B	(3225)
C883	1-163-038-91	CAP, CERAMIC 100000PF F	(2012)
C888	1-107-826-91	CAP, CHIP CERAMIC 100000PF B	
C889	1-107-826-91	CAP, CHIP CERAMIC 100000PF B	
C890	1-104-851-91	CAP, CHIP TANTALUM ELECT 10MF	
C891	1-107-826-91	CAP, CHIP CERAMIC 100000PF B	
C895	1-162-964-91	CAP, CHIP CERAMIC 1000PF B	(1608)
C897	1-164-677-91	CAP, CERAMIC 33000PF B	(1608)
C898	1-164-156-91	CAP, CHIP CERAMIC 0.1MF F	(1608)
C899	1-164-156-91	CAP, CHIP CERAMIC 0.1MF F	(1608)
C901	1-107-826-91	CAP, CHIP CERAMIC 100000PF B	
C902	1-107-826-91	CAP, CHIP CERAMIC 100000PF B	
C903	1-107-826-91	CAP, CHIP CERAMIC 100000PF B	
C904	1-107-826-91	CAP, CHIP CERAMIC 100000PF B	
C905	1-107-826-91	CAP, CHIP CERAMIC 100000PF B	
C906	1-107-826-91	CAP, CHIP CERAMIC 100000PF B	
C907	1-107-826-91	CAP, CHIP CERAMIC 100000PF B	
C908	1-107-826-91	CAP, CHIP CERAMIC 100000PF B	
C909	1-107-826-91	CAP, CHIP CERAMIC 100000PF B	
C910	1-107-826-91	CAP, CHIP CERAMIC 100000PF B	
C911	1-107-826-91	CAP, CHIP CERAMIC 100000PF B	
C912	1-107-826-91	CAP, CHIP CERAMIC 100000PF B	
C913	1-107-826-91	CAP, CHIP CERAMIC	

Ref.	Part No.	Description
C956	1-107-826-91	CAP, CHIP CERAMIC 100000PF B
C957	1-107-826-91	CAP, CHIP CERAMIC 100000PF B
C958	1-107-826-91	CAP, CHIP CERAMIC 100000PF B
C959	1-107-826-91	CAP, CHIP CERAMIC 100000PF B
C960	1-107-826-91	CAP, CHIP CERAMIC 100000PF B
C961	1-107-826-91	CAP, CHIP CERAMIC 100000PF B
C962	1-107-826-91	CAP, CHIP CERAMIC 100000PF B
C963	1-107-826-91	CAP, CHIP CERAMIC 100000PF B
C965	1-107-826-91	CAP, CHIP CERAMIC 100000PF B
C966	1-107-826-91	CAP, CHIP CERAMIC 100000PF B
C967	1-125-837-91	CAP, CHIP CERAMIC 1MF B (1608)
C968	1-125-837-91	CAP, CHIP CERAMIC 1MF B (1608)
C980	1-107-826-91	CAP, CHIP CERAMIC 100000PF B
C981	1-107-826-91	CAP, CHIP CERAMIC 100000PF B
C982	1-107-826-91	CAP, CHIP CERAMIC 100000PF B
C983	1-107-826-91	CAP, CHIP CERAMIC 100000PF B
C984	1-107-826-91	CAP, CHIP CERAMIC 100000PF B
C985	1-107-826-91	CAP, CHIP CERAMIC 100000PF B
C986	1-107-826-91	CAP, CHIP CERAMIC 100000PF B
C987	1-107-826-91	CAP, CHIP CERAMIC 100000PF B
C988	1-107-826-91	CAP, CHIP CERAMIC 100000PF B
C989	1-107-826-91	CAP, CHIP CERAMIC 100000PF B
C990	1-107-826-91	CAP, CHIP CERAMIC 100000PF B
C991	1-113-619-91	CAP, CERAMIC 470000PF F (1608)
C992	1-113-619-91	CAP, CERAMIC 470000PF F (1608)
C993	1-128-004-21	CAP, ELECT (CHIP) 10MF
C994	1-125-777-81	CAP, CHIP CERAMIC 0.1MF B (1005)
C995	1-125-777-81	CAP, CHIP CERAMIC 0.1MF B (1005)
C996	1-125-777-81	CAP, CHIP CERAMIC 0.1MF B (1005)
C997	1-125-777-81	CAP, CHIP CERAMIC 0.1MF B (1005)
C998	1-125-777-81	CAP, CHIP CERAMIC 0.1MF B (1005)
<CONNECTOR>		
CN201	1-815-631-11	CONNECTOR, SQUARE TYPE 12P
CN201	1-816-253-11	CONNECTOR, SQUARE TYPE 12P
CN302	1-794-206-21	CONNECTOR, FFC/FPC (ZIF) 36P
CN303	1-694-822-11	TERMINAL BOARD (ILINK/USB)
CN303	1-694-891-11	TERMINAL BOARD (ILINK/USB)
CN401	1-815-630-11	PIN, CONNECTOR 4P
CN401	1-816-242-11	PIN, CONNECTOR 4P
CN403	1-784-650-21	CONNECTOR 2P
CN406	1-779-345-11	CONNECTOR, FFC/FPC 7P
CN501	1-476-736-11	TRANSMITTER UNIT, LIGHT
CN501	1-477-175-12	TRANSMITTER UNIT, LIGHT
CN504	1-815-632-11	CONNECTOR BOARD TO BOARD 110P
CN504	1-816-318-11	CONNECTOR BOARD TO BOARD 110P
CN801	1-794-237-21	CONNECTOR, FFC/FPC 30P
CN801	1-794-237-21	CONNECTOR, FFC/FPC 30P
CN802	1-816-184-21	CONNECTOR, FFC/FPC 5P
CN803	1-770-687-11	CONNECTOR, FFC/FPC 4P
CN803	1-779-206-21	CONNECTOR, FFC(LIF(NON-ZIF)4P
CN804	1-794-194-21	CONNECTOR, FFC/FPC 13P
CN804	1-816-226-21	CONNECTOR, FFC/FPC 13P
<NETWORK>		
CP201	1-234-724-21	NETWORK, RC (3216)
<DIODE>		
D201	8-719-065-78	DIODE MAZF12000LS0
D201	8-719-082-01	DIODE MM3Z12VT1
D202	6-500-009-01	DIODE RSE6.8XN-TR
D202	6-500-044-01	DIODE DF6A6.8FU(TE85R)
D202	6-500-045-01	DIODE MAZB068H0LS0
D202	6-500-053-01	DIODE DF6A6.8FU(TE85R)
D203	6-500-009-01	DIODE RSE6.8XN-TR
D203	6-500-044-01	DIODE DF6A6.8FU(TE85R)

Ref.	Part No.	Description
D203	6-500-045-01	DIODE MAZB068H0LS0
D203	6-500-053-01	DIODE DF6A6.8FU(TE85R)
D208	6-500-009-01	DIODE RSE6.8XN-TR
D208	6-500-044-01	DIODE DF6A6.8FU(TE85R)
D208	6-500-045-01	DIODE MAZB068H0LS0
D208	6-500-053-01	DIODE DF6A6.8FU(TE85R)
D301	8-719-027-76	DIODE 1SS357-TPH3
D301	8-719-058-24	DIODE RB501V-40TE-17
D301	8-719-071-87	DIODE MA785-(TX),SO
D302	8-719-027-76	DIODE 1SS357-TPH3
D302	8-719-058-24	DIODE RB501V-40TE-17
D302	8-719-071-87	DIODE MA785-(TX),SO
D402	8-719-074-34	DIODE RB495D-T146
D402	8-719-081-84	DIODE HRW0202BTL
D403	8-719-074-34	DIODE RB495D-T146
D403	8-719-081-84	DIODE HRW0202BTL
D404	8-719-033-15	DIODE HN2D02FU-TE85R
D405	8-719-066-98	DIODE RB051L-40TE25
D405	8-719-078-04	DIODE EC31QS03L-TE12L
D405	8-719-085-58	DIODE EC30HA03L-TE12L
D407	8-719-074-34	DIODE RB495D-T146
D407	8-719-081-84	DIODE HRW0202BTL
D408	8-719-074-34	DIODE RB495D-T146
D408	8-719-081-84	DIODE HRW0202BTL
D500	8-719-024-81	DIODE 1SS300-TE85L
D500	8-719-941-21	DIODE DAP202UT106
D501	8-719-082-76	DIODE CL-201TLY-C-TU
D801	8-719-065-68	DIODE MAZF04700LS0
D801	8-719-082-00	DIODE MM3Z4V7T1
D802	8-719-065-68	DIODE MAZF04700LS0
D802	8-719-082-00	DIODE MM3Z4V7T1
<FUSE>		
Δ F001	1-576-434-21	FUSE, CHIP
Δ F001	1-576-434-41	FUSE, CHIP
Δ F001	1-576-438-21	FUSE, CHIP
<FERRITE BEAD>		
FB102	1-469-667-21	FERRITE, EMI (SMD)
FB103	1-469-667-21	FERRITE, EMI (SMD)
FB104	1-469-667-21	FERRITE, EMI (SMD)
FB105	1-469-667-21	FERRITE, EMI (SMD)
FB201	1-414-813-21	FERRITE, EMI (SMD)
FB202	1-500-113-22	BEAD, FERRITE (CHIP)
FB203	1-500-113-22	BEAD, FERRITE (CHIP)
FB204	1-500-113-22	BEAD, FERRITE (CHIP)
FB205	1-500-113-22	BEAD, FERRITE (CHIP)
FB206	1-500-113-22	BEAD, FERRITE (CHIP)
FB303	1-400-154-21	FERRITE, EMI
FB303	1-400-172-21	FERRITE, EMI
FB305	1-414-555-21	FERRITE, EMI (SMD)
FB308	1-400-154-21	FERRITE, EMI (SMD)
FB308	1-400-172-21	FERRITE, EMI (SMD)
FB310	1-414-555-21	FERRITE, EMI (SMD)
FB313	1-469-324-21	FERRITE, EMI (SMD)
FB314	1-469-324-21	FERRITE, EMI (SMD)
FB315	1-469-324-21	FERRITE, EMI (SMD)
FB316	1-469-324-21	FERRITE, EMI (SMD)
FB317	1-469-110-21	FERRITE, EMI (SMD)
FB318	1-469-110-21	FERRITE, EMI (SMD)
FB319	1-469-110-21	FERRITE, EMI (SMD)
FB320	1-469-110-21	FERRITE, EMI (SMD)
FB321	1-469-110-21	FERRITE, EMI (SMD)
FB322	1-469-110-21	FERRITE, EMI (SMD)
FB323	1-469-110-21	FERRITE, EMI (SMD)
FB324	1-469-110-21	FERRITE, EMI (SMD)

Ref.	Part No.	Description
FB408	1-469-667-21	FERRITE, EMI (SMD)
FB801	1-469-562-21	FERRITE, EMI (SMD)
FB802	1-469-562-21	FERRITE, EMI (SMD)
<FILTER>		
FL204	1-234-738-21	FILTER, EMI (ARRAY) (3216)
FL303	1-234-725-21	NETWORK, RC (USB) (4022)
<IC>		
IC101	8-759-831-20	IC CY2212ZC-2T
IC101	8-759-834-04	IC SN104971APWR
IC102	6-800-080-01	IC TC59RM716GB-8DYELZ
IC102	8-759-666-89	IC TC59RM716GB-8(YEL)
IC103	6-800-080-01	IC TC59RM716GB-8DYELZ
IC103	8-759-666-89	IC TC59RM716GB-8(YEL)
IC104	6-701-906-01	IC CXD9708GB
IC104	8-759-699-09	IC CXD9615GB
IC105	6-700-742-01	IC LM70C1MMX-3
IC106	6-700-967-01	IC CY24141ZC-3T
IC202	6-701-570-01	IC CXD2949GB-T7
IC205	6-701-557-01	IC SC44728CPBEB
IC206	8-752-093-56	IC CXA3525R-T4
IC206	8-752-099-53	IC CXA3525BR-T4
IC207	8-759-691-00	IC JCP78M05CDTRK
IC207	8-759-697-61	IC L78M05CDT-TR(P)
IC209	6-701-174-01	IC MM1573DNLE
IC209	6-701-602-01	IC LP2985IMX-3.3P
IC210	6-701-556-01	IC SC44750PBEB
IC303	6-701-361-01	IC CXD9697GP
IC305	6-700-119-01	IC T5NB8(YEL)
IC305	6-700-549-01	IC K4Q153212MJC60T
IC402	6-800-967-01	IC TMP87C807U-2C64
IC403	6-700-665-01	IC MM1550AFBE
IC404	6-700-664-01	IC SN105216DBTR
IC404	6-702-320-01	IC SN104818DBTR
IC407	6-701-051-01	IC SPF3001-R1
IC407	6-701-052-01	IC MM1582XHBE
IC407	6-701-053-01	IC SCY99009PWPR2
IC409	6-700-946-01	IC MB3889PFT-G-BND-ER
IC413	6-700-233-01	IC MM1573ZNL
IC413	6-700-968-01	IC MM1573FNLE
IC413	8-759-598-12	IC LP2985IM5X-3.5
IC414	6-701-175-01	IC MC7808CDTT5
IC414	8-759-069-41	IC TA7808F(TE16L)
IC414	8-759-473-16	IC BA17808FP-E2
IC414	8-759-697-62	IC NJM7808DL1A(TE1)
IC415	8-759-581-11	IC NJM2125F(TE2)
IC416	6-701-551-01	IC BU9861FV-W2
IC501	6-701-214-01	IC CXD9611BR
IC501	6-701-708-01	IC CXD9686BR
IC502	6-701-050-01	IC MSM10V976F-50TKR1
IC502	8-759-712-79	IC K4E151612D-TL50T00
IC502	8-759-712-80	IC MT4LC1M16E5TG-5TR
IC502	8-759-712-81	IC GM71V18163CT-5T
IC502	8-759-712-82	IC SDMV18165CTM6S
IC504	8-752-416-23	IC CXD2950R-TL
IC505	6-702-305-01	IC K3NSV108SB-TC1AT00
IC505	6-801-709-01	IC MR27V4812F-019TMZ
IC517	8-759-667-10	IC CS4335-KS
IC603	8-759-370-11	IC NJM2100V-TE2
IC605	8-752-416-13	IC CXD1886Q
IC607	8-752-928-26	IC CXP103049-102GG-TL
IC801	6-700-585-01	IC SP3727AFA0PMR
IC802	8-759-697-65	IC BA5815FM-E2
IC803	8-759-588-60	IC BA6664FM-E2
IC805	8-759-712-38	IC HD74HC1G66CME

Ref.	Part No.	Description
IC805	8-759-712-63	IC MC74VHC1G66DFT1
IC806	8-759-693-13	IC NJM12904V(TE2)
IC807	8-759-691-00	IC JCP78M05CDTRK
IC807	8-759-697-61	IC L78M05CDT-TR(P)
<INDUCTOR>		
L102	1-469-525-91	INDUCTOR 10UH (NLFV25)
L102	1-469-967-21	INDUCTOR, CHIP 10UH (2518)
L103	1-469-525-91	INDUCTOR 10UH (NLFV25)
L103	1-469-967-21	INDUCTOR, CHIP 10UH (2518)
L105	1-414-771-91	INDUCTOR 10.0UH
L106	1-414-771-91	INDUCTOR 10.0UH
L203	1-469-525-91	INDUCTOR 10UH (NLFV25)
L203	1-469-967-21	INDUCTOR, CHIP 10UH (2518)
L206	1-412-960-21	INDUCTOR, SMALL TYPE 56UH
L401	1-411-197-21	COIL, DD CONVERTER
L401	1-424-788-21	COIL, CHOKER (SMD) 10UH
L401	1-424-922-21	COIL, CHOKER (SMD) 10UH
L404	1-424-854-31	COIL (SMD), CHOKER 2.0UH
L404	1-424-912-21	COIL, CHOKER (SMD) 2.7UH
L404	1-424-914-21	COIL, CHOKER (SMD) 2.2UH
L404	1-424-920-21	COIL, CHOKER (SMD) 2.4UH
L408	1-419-989-21	COIL, CHOKER 5.6UH
L408	1-419-902-21	COIL, CHOKER (SMD) 5.6UH
L410	1-411-197-21	COIL, DD CONVERTER
L410	1-424-788-21	COIL, CHOKER (SMD) 10UH
L410	1-424-922-21	COIL, CHOKER (SMD) 10UH
L411	1-424-789-41	COIL, CHOKER (SMD) 10UH
L411	1-424-916-21	COIL, CHOKER (SMD) 10UH
L411	1-424-918-21	COIL, CHOKER (SMD) 10UH
L412	1-411-197-21	COIL, DD CONVERTER
L412	1-424-788-21	COIL, CHOKER (SMD) 10UH
L412	1-424-922-21	COIL, CHOKER (SMD) 10UH
L413	1-424-789-41	COIL, CHOKER (SMD) 10UH
L413	1-424-916-21	COIL, CHOKER (SMD) 10UH
L413	1-424-918-21	COIL, CHOKER (SMD) 10UH
L414	1-424-789-41	COIL, CHOKER (SMD) 10UH
L414	1-424-916-21	COIL, CHOKER (SMD) 10UH
L414	1-424-918-21	COIL, CHOKER (SMD) 10UH
L801	1-400-073-21	INDUCTOR, CHIP 4.7UH (2518)
L801	1-469-524-91	INDUCTOR 4.7UH (NLFV25)
L802	1-400-073-21	INDUCTOR, CHIP 4.7UH (2518)
L802	1-469-524-91	INDUCTOR 4.7UH (NLFV25)
L803	1-414-394-41	INDUCTOR (SMD) 2.2UH
<LINK>		
Δ PS001	1-576-519-21	FUSE, MICRO (1608) TYPE)
Δ PS002	1-576-519-21	FUSE, MICRO (1608) TYPE)
Δ PS003	1-576-398-21	RINK, IC (CCP2E63)
Δ PS004	1-576-398-21	RINK, IC (CCP2E63)
Δ PS005	1-533-915-41	RINK, CHIP IC
Δ PS005	1-576-259-21	RINK, IC
Δ PS006	1-576-586-21	FUSE, MICRO (1608) TYPE)
Δ PS007	1-533-915-41	RINK, CHIP IC
Δ PS007	1-576-259-21	RINK, IC
Δ PS008	1-533-940-21	RINK, CHIP IC
Δ PS008	1-576-282-21	RINK, SQUARE CHIP TYPE IC
Δ PS009	1-533-282-21	LINK, IC
Δ PS010	1-533-282-21	LINK, IC
Δ PS011	1-533-282-21	LINK, IC
Δ PS012	1-533-940-21	RINK, CHIP IC
Δ PS012	1-576-282-21	RINK, SQUARE CHIP TYPE IC
Δ PS013	1-533-915-41	RINK, CHIP IC
Δ PS013	1-576-259-21	RINK, IC

Ref.	Part No.	Description
<TRANSISTOR>		
Q201	8-729-026-50	TRANSISTOR 2SA1037AK-T146-QR
Q204	6-550-073-01	TRANSISTOR HN1B01FDW1T1
Q204	8-729-049-77	TRANSISTOR HN1B01F-GR(T5LSONY)
Q205	8-729-013-22	TRANSISTOR HN1A01FU-TE85R
Q205	8-729-055-85	TRANSISTOR UMT1N-TN
Q205	8-729-427-71	TRANSISTOR XP4401-TXE
Q300	6-550-076-01	TRANSISTOR MUN5213T1
Q300	8-729-013-97	TRANSISTOR RN1304-TE85L
Q300	8-729-029-14	TRANSISTOR DTC144EUA-T106
Q301	6-550-027-01	TRANSISTOR FDS6375
Q301	6-550-028-01	TRANSISTOR IRF7233-TR
Q401	8-729-054-35	TRANSISTOR HAT2070R-EL
Q401	8-729-055-58	TRANSISTOR SI4894DY-T1
Q402	8-729-053-79	TRANSISTOR IRF7901D1-TR
Q402	8-729-053-80	TRANSISTOR SI4830DY-T1
Q402	8-729-054-68	TRANSISTOR FDS6986S
Q404	8-729-051-62	TRANSISTOR IRF7809A-TR
Q404	8-729-052-07	TRANSISTOR HAT2064R-EL
Q404	8-729-054-64	TRANSISTOR IRF7455-TR
Q405	8-729-014-43	TRANSISTOR RN1904-TE85R
Q405	8-729-052-36	TRANSISTOR UMH2NTN
Q405	8-729-427-47	TRANSISTOR XP4213-TXE
Q406	8-729-053-79	TRANSISTOR IRF7901D1-TR
Q406	8-729-053-80	TRANSISTOR SI4830DY-T1
Q406	8-729-054-68	TRANSISTOR FDS6986S
Q407	8-729-046-04	TRANSISTOR FDS6690A
Q407	8-729-054-66	TRANSISTOR HAT2071R-EL
Q408	8-729-051-61	TRANSISTOR IRF7807D1-TR
Q408	8-729-054-67	TRANSISTOR FDS6690S
Q409	6-550-076-01	TRANSISTOR MUN5213T1
Q409	8-729-013-97	TRANSISTOR RN1304-TE85L
Q409	8-729-029-14	TRANSISTOR DTC144EUA-T106
Q410	6-550-076-01	TRANSISTOR MUN5213T1
Q410	8-729-013-97	TRANSISTOR RN1304-TE85L
Q410	8-729-029-14	TRANSISTOR DTC144EUA-T106
Q411	6-550-028-01	TRANSISTOR IRF7233-TR
Q412	6-550-026-01	TRANSISTOR IRF7328-TR
Q412	6-550-036-01	TRANSISTOR FDS4935
Q412	6-550-068-01	TRANSISTOR SI4943DY-T1
Q415	8-729-209-77	TRANSISTOR 2SC2873Y-TE12L
Q505	8-729-021-09	TRANSISTOR RN4904(TE85R)
Q506	8-729-056-15	TRANSISTOR IMH20T108
Q600	8-729-016-26	TRANSISTOR 2SK1958-T1
Q600	8-729-048-50	TRANSISTOR 2SK3018-T106
Q603	8-729-017-33	TRANSISTOR RN1706-TE85R
Q801	6-550-008-01	TRANSISTOR UM6K1N-TN
Q801	6-550-014-01	TRANSISTOR SSM6N15FU(TE85R)
Q801	6-550-017-01	TRANSISTOR XP0487800LS0
Q802	8-729-014-02	TRANSISTOR RN1306-TE85L
Q802	8-729-029-13	TRANSISTOR DTC143ZUA-T106
Q804	8-729-055-22	TRANSISTOR 2SA1734(TE12L)
Q804	8-729-103-96	TRANSISTOR 2SB798-T1DL
Q805	8-729-055-22	TRANSISTOR 2SA1734(TE12L)
Q805	8-729-103-96	TRANSISTOR 2SB798-T1DL
Q806	8-729-016-26	TRANSISTOR 2SK1958-T1
Q806	8-729-048-50	TRANSISTOR 2SK3018-T106
Q808	6-550-008-01	TRANSISTOR UM6K1N-TN
Q808	6-550-014-01	TRANSISTOR SSM6N15FU(TE85R)
Q808	6-550-017-01	TRANSISTOR XP0487800LS0
Q814	8-729-014-02	TRANSISTOR RN1306-TE85L
Q814	8-729-029-13	TRANSISTOR DTC143ZUA-T106
<RESISTOR>		
R101	1-211-983-91	RES, CHIP 39 (1608)

Ref.	Part No.	Description
R102	1-208-866-81	RES, CHIP 130 (1005)
R103	1-211-983-91	RES, CHIP 39 (1608)
R104	1-208-866-81	RES, CHIP 130 (1005)
R106	1-216-809-91	RES, CHIP 100 (1608)
R107	1-216-809-91	RES, CHIP 100 (1608)
R109	1-218-961-81	RES, CHIP 4.7K (1608)
R110	1-211-983-91	RES, CHIP 39 (1608)
R111	1-211-983-91	RES, CHIP 39 (1608)
R112	1-211-989-91	RES, CHIP 68 (1608)
R113	1-211-989-91	RES, CHIP 68 (1608)
R114	1-211-983-91	RES, CHIP 39 (1608)
R115	1-211-983-91	RES, CHIP 39 (1608)
R116	1-211-983-91	RES, CHIP 39 (1608)
R117	1-211-983-91	RES, CHIP 39 (1608)
R118	1-211-973-91	RES, CHIP 15 (1608)
R119	1-211-973-91	RES, CHIP 15 (1608)
R120	1-211-973-91	RES, CHIP 15 (1608)
R121	1-211-973-91	RES, CHIP 15 (1608)
R131	1-216-833-91	RES, CHIP 10K (1608)
R132	1-216-833-91	RES, CHIP 10K (1608)
R133	1-216-833-91	RES, CHIP 10K (1608)
R134	1-218-965-81	RES, CHIP 10K (1608)
R139	1-216-801-91	RES, CHIP 22 (1608)
R145	1-218-953-81	RES, CHIP 1.0K (1608)
R146	1-216-821-91	RES, CHIP 1.0K (1608)
R147	1-216-821-91	RES, CHIP 1.0K (1608)
R158	1-216-803-91	RES, CHIP 33 (1608)
R159	1-216-803-91	RES, CHIP 33 (1608)
R164	1-216-864-91	CONDUCTOR, CHIP (1608)
R185	1-216-829-91	RES, CHIP 4.7K (1608)
R188	1-216-829-91	RES, CHIP 4.7K (1608)
R196	1-218-933-81	RES, CHIP 22 (1608)
R201	1-216-829-91	RES, CHIP 4.7K (1608)
R202	1-216-833-91	RES, CHIP 10K (1608)
R203	1-218-851-91	RES, CHIP 1.5K (1608)
R212	1-218-961-81	RES, CHIP 4.7K (1608)
R213	1-218-961-81	RES, CHIP 4.7K (1608)
R214	1-216-864-91	CONDUCTOR, CHIP (1608)
R217	1-216-864-91	CONDUCTOR, CHIP (1608)
R220	1-218-933-81	RES, CHIP 22 (1608)
R225	1-216-833-91	RES, CHIP 10K (1608)
R226	1-216-833-91	RES, CHIP 10K (1608)
R227	1-216-864-91	CONDUCTOR, CHIP (1608)
R236	1-216-809-91	RES, CHIP 100 (1608)
R244	1-218-825-91	RES, CHIP 120 (1608)
R245	1-218-825-91	RES, CHIP 120 (1608)
R246	1-218-825-91	RES, CHIP 120 (1608)
R250	1-216-803-91	RES, CHIP 33 (1608)
R251	1-216-837-91	RES, CHIP 22K (1608)
R252	1-216-839-91	RES, CHIP 33K (1608)
R253	1-216-833-91	RES, CHIP 10K (1608)
R257	1-216-824-91	RES, CHIP 1.8K (1608)
R258	1-208-923-81	RES, CHIP 33K (1005)
R259	1-216-824-91	RES, CHIP 1.8K (1608)
R261	1-216-829-91	RES, CHIP 4.7K (1608)
R263	1-216-825-91	RES, CHIP 2.2K (1608)
R264	1-216-821-91	RES, CHIP 1.0K (1608)
R265	1-216-821-91	RES, CHIP 1.0K (1608)
R270	1-218-853-91	RES, CHIP 1.8K (1608)
R272	1-218-859-91	RES, CHIP 3.3K (1608)
R273	1-218-851-91	RES, CHIP 1.5K (1608)
R277	1-218-853-91	RES, CHIP 1.8K (1608)
R278	1-218-859-91	RES, CHIP 3.3K (1608)
R279	1-218-851-91	RES, CHIP 1.5K (1608)
R292	1-216-833-91	RES, CHIP 10K (1608)
R300	1-216-864-91	CONDUCTOR, CHIP (1608)

Ref.	Part No.	Description
R301	1-216-845-91	RES, CHIP 100K (1608)
R307	1-208-857-81	RES, CHIP 56 (1608)
R308	1-208-904-81	RES, CHIP 5.1K (1608)
R309	1-211-987-91	RES, CHIP 56 (1608)
R310	1-211-987-91	RES, CHIP 56 (1608)
R311	1-216-829-91	RES, CHIP 4.7K (1608)
R312	1-208-857-81	RES, CHIP 56 (1608)
R315	1-218-866-91	RES, CHIP 6.2K (1608)
R316	1-216-797-91	RES, CHIP 10 (1608)
R320	1-219-570-91	RES, CHIP 10M (1608)
R321	1-216-813-91	RES, CHIP 220 (1608)
R322	1-216-857-91	RES, CHIP 1.0M (1608)
R324	1-216-833-91	RES, CHIP 10K (1608)
R327	1-216-821-91	RES, CHIP 1.0K (1608)
R328	1-216-841-91	RES, CHIP 47K (1608)
R329	1-216-797-91	RES, CHIP 10 (1608)
R331	1-216-797-91	RES, CHIP 10 (1608)
R347	1-211-986-91	RES, CHIP 51 (1608)
R349	1-216-821-91	RES, CHIP 1.0K (1608)
R350	1-216-805-91	RES, CHIP 47 (1608)
R352	1-216-797-91	RES, CHIP 10 (1608)
R365	1-216-805-91	RES, CHIP 47 (1608)
R366	1-218-937-81	RES, CHIP 47 (1608)
R367	1-216-805-91	RES, CHIP 47 (1608)
R368	1-216-805-91	RES, CHIP 47 (1608)
R390	1-216-857-91	RES, CHIP 1.0M (1608)
R391	1-216-833-91	RES, CHIP 10K (1608)
R392	1-216-801-91	RES, CHIP 22 (1608)
R393	1-216-801-91	RES, CHIP 22 (1608)
R394	1-216-801-91	RES, CHIP 22 (1608)
R395	1-218-957-81	RES, CHIP 2.2K (1608)
R396	1-216-801-91	RES, CHIP 22 (1608)
R397	1-216-801-91	RES, CHIP 22 (1608)
R399	1-216-801-91	RES, CHIP 22 (1608)
R403	1-216-833-91	RES, CHIP 10K (1608)
R404	1-216-845-91	RES, CHIP 100K (1608)
R405	1-216-845-91	RES, CHIP 100K (1608)
R406	1-216-811-91	RES, CHIP 150 (1608)
R407	1-216-811-91	RES, CHIP 150 (1608)
R408	1-216-839-91	RES, CHIP 33K (1608)
R409	1-218-855-91	RES, CHIP 2.2K (1608)
R410	1-218-882-91	RES, CHIP 30K (1608)
R411	1-218-883-91	RES, CHIP 33K (1608)
R412	1-218-883-91	RES, CHIP 33K (1608)
R413	1-218-882-91	RES, CHIP 30K (1608)
R414	1-218-855-91	RES, CHIP 2.2K (1608)
R415	1-216-839-91	RES, CHIP 33K (1608)
R416	1-216-839-91	RES, CHIP 33K (1608)
R417	1-216-813-91	RES, CHIP 220 (1608)
R418	1-216-817-91	RES, CHIP 470 (1608)
R419	1-216-833-91	RES, CHIP 10K (1608)
R421	1-216-790-91	RES, CHIP 2.7 (1608)
R422	1-216-797-91	RES, CHIP 10 (1608)
R423	1-216-790-91	RES, CHIP 2.7 (1608)
R424	1-216-797-91	RES, CHIP 10 (1608)
R426	1-218-879-91	RES, CHIP 22K (1608)
R427	1-218-871-91	RES, CHIP 10K (1608)
R428	1-216-309-91	RES, CHIP 5.6 (2012)
R429	1-216-833-91	RES, CHIP 10K (1608)
R433	1-216-821-91	RES, CHIP 1.0K (1608)
R440	1-218-831-91	RES, CHIP 220 (1608)
R441	1-218-871-91	RES, CHIP 10K (1608)
R442	1-218-865-91	RES, CHIP 5.6K (1608)
R443	1-218-858-91	RES, CHIP 3.0K (1608)
R444	1-218-867-91	RES, CHIP 6.8K (1608)
R445	1-218-857-91	RES, CHIP 2.7K (1608)

Ref.	Part No.	Description
R446	1-218-874-91	RES, CHIP 13K (1608)
R447	1-218-874-91	RES, CHIP 13K (1608)
R452	1-216-864-91	CONDUCTOR, CHIP (1608)
R453	1-216-864-91	CONDUCTOR, CHIP (1608)
R454	1-216-864-91	CONDUCTOR, CHIP (1608)
R457	1-218-859-91	RES, CHIP 3.3K (1608)
R458	1-216-864-91	CONDUCTOR, CHIP (1608)
R459	1-216-833-91	RES, CHIP 10K (1608)
R460	1-218-853-91	RES, CHIP 1.8K (1608)
R461	1-216-309-91	RES, CHIP 5.6 (2012)
R462	1-216-849-91	RES, CHIP 220K (1608)
R463	1-216-857-91	RES, CHIP 1.0M (1608)
R465	1-216-845-91	RES, CHIP 100K (1608)
R466	1-216-821-91	RES, CHIP 1.0K (1608)
R468	1-216-833-91	RES, CHIP 10K (1608)
R470	1-216-845-91	RES, CHIP 100K (1608)
R472	1-218-871-91	RES, CHIP 10K (1608)
R473	1-218-863-91	RES, CHIP 4.7K (1608)
R474	1-216-853-91	RES, CHIP 470K (1608)
R478	1-216-833-91	RES, CHIP 10K (1608)
R482	1-216-810-91	RES, CHIP 120 (1608)
R491	1-216-864-91	CONDUCTOR, CHIP (1608)
R492	1-216-864-91	CONDUCTOR, CHIP (1608)
R493	1-216-864-91	CONDUCTOR, CHIP (1608)
R494	1-216-864-91	CONDUCTOR, CHIP (1608)
R495	1-216-864-91	CONDUCTOR, CHIP (1608)
R503	1-216-803-91	RES, CHIP 33 (1608)
R504	1-216-803-91	RES, CHIP 33 (1608)
R505	1-216-803-91	RES, CHIP 33 (1608)
R506	1-216-809-91	RES, CHIP 100 (1608)
R509	1-216-821-91	RES, CHIP 1.0K (1608)
R513	1-216-805-91	RES, CHIP 47 (1608)
R516	1-216-809-91	RES, CHIP 100 (1608)
R517	1-216-809-91	RES, CHIP 100 (1608)
R522		

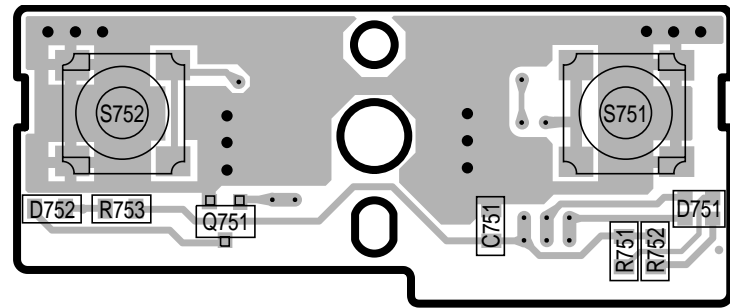
Ref.	Part No.	Description	
R658	1-216-833-91	RES, CHIP 10K	(1608)
R660	1-216-833-91	RES, CHIP 10K	(1608)
R661	1-216-833-91	RES, CHIP 10K	(1608)
R667	1-216-861-91	RES, CHIP 2.2M	(1608)
R668	1-216-853-91	RES, CHIP 470K	(1608)
R669	1-216-845-91	RES, CHIP 100K	(1608)
R670	1-216-833-91	RES, CHIP 10K	(1608)
R671	1-216-827-91	RES, CHIP 3.3K	(1608)
R672	1-218-888-91	RES, CHIP 51K	(1608)
R673	1-216-827-91	RES, CHIP 3.3K	(1608)
R674	1-216-845-91	RES, CHIP 100K	(1608)
R675	1-216-839-91	RES, CHIP 33K	(1608)
R678	1-216-829-91	RES, CHIP 4.7K	(1608)
R679	1-216-864-91	CONDUCTOR, CHIP	(1608)
R689	1-216-845-91	RES, CHIP 100K	(1608)
R694	1-216-835-91	RES, CHIP 15K	(1608)
R696	1-216-846-91	RES, CHIP 120K	(1608)
R697	1-216-864-91	CONDUCTOR, CHIP	(1608)
R698	1-216-835-91	RES, CHIP 15K	(1608)
R699	1-216-833-91	RES, CHIP 10K	(1608)
R700	1-216-864-91	CONDUCTOR, CHIP	(1608)
R805	1-216-809-91	RES, CHIP 100	(1608)
R806	1-216-833-91	RES, CHIP 10K	(1608)
R807	1-216-809-91	RES, CHIP 100	(1608)
R808	1-216-833-91	RES, CHIP 10K	(1608)
R813	1-216-158-91	RES, CHIP 22	(3216)
R814	1-216-158-91	RES, CHIP 22	(3216)
R815	1-216-797-91	RES, CHIP 10	(1608)
R816	1-216-158-91	RES, CHIP 22	(3216)
R817	1-216-158-91	RES, CHIP 22	(3216)
R818	1-216-797-91	RES, CHIP 10	(1608)
R819	1-218-889-91	RES, CHIP 56K	(1608)
R820	1-218-881-91	RES, CHIP 27K	(1608)
R821	1-218-881-91	RES, CHIP 27K	(1608)
R822	1-218-881-91	RES, CHIP 27K	(1608)
R823	1-218-890-91	RES, CHIP 62K	(1608)
R826	1-218-871-91	RES, CHIP 10K	(1608)
R827	1-218-871-91	RES, CHIP 10K	(1608)
R828	1-218-881-91	RES, CHIP 27K	(1608)
R830	1-216-815-91	RES, CHIP 330	(1608)
R831	1-216-810-91	RES, CHIP 120	(1608)
R834	1-208-911-81	RES, CHIP 10K	(1005)
R837	1-208-922-81	RES, CHIP 30K	(1005)
R838	1-208-922-81	RES, CHIP 30K	(1005)
R840	1-208-916-81	RES, CHIP 16K	(1005)
R843	1-208-922-81	RES, CHIP 30K	(1005)
R846	1-208-922-81	RES, CHIP 30K	(1005)
R847	1-218-977-81	RES, CHIP 100K	
R850	1-208-911-81	RES, CHIP 10K	(1005)
R851	1-208-916-81	RES, CHIP 16K	(1005)
R852	1-218-873-91	RES, CHIP 12K	(1608)
R853	1-216-298-91	RES, CHIP 2.2	(2012)
R854	1-216-298-91	RES, CHIP 2.2	(2012)
R855	1-216-298-91	RES, CHIP 2.2	(2012)
R856	1-216-298-91	RES, CHIP 2.2	(2012)
R866	1-216-845-91	RES, CHIP 100K	(1608)
R868	1-216-849-91	RES, CHIP 220K	(1608)
R870	1-216-849-91	RES, CHIP 220K	(1608)
R871	1-218-896-91	RES, CHIP 110K	(1608)
R872	1-216-844-91	RES, CHIP 82K	(1608)
R873	1-216-839-91	RES, CHIP 33K	(1608)
R874	1-216-828-91	RES, CHIP 3.9K	(1608)
R875	1-216-023-91	RES, CHIP 82	(2012)
R876	1-216-023-91	RES, CHIP 82	(2012)
R877	1-216-023-91	RES, CHIP 82	(2012)
R878	1-216-023-91	RES, CHIP 82	(2012)

Ref.	Part No.	Description	
R879	1-216-023-91	RES, CHIP 82	(2012)
R880	1-216-023-91	RES, CHIP 82	(2012)
R881	1-216-023-91	RES, CHIP 82	(2012)
R882	1-216-023-91	RES, CHIP 82	(2012)
R901	1-218-937-81	RES, CHIP 47	
R902	1-218-937-81	RES, CHIP 47	
R974	1-216-801-91	RES, CHIP 22	(1608)
R975	1-216-801-91	RES, CHIP 22	(1608)
<RESISTOR BLOCK>			
RB101	1-234-496-21	ARRAY, RESISTOR 39	
RB102	1-234-496-21	ARRAY, RESISTOR 39	
RB103	1-234-496-21	ARRAY, RESISTOR 39	
RB104	1-234-496-21	ARRAY, RESISTOR 39	
RB105	1-234-496-21	ARRAY, RESISTOR 39	
RB106	1-234-496-21	ARRAY, RESISTOR 39	
RB107	1-234-710-21	RES, CHIP NETWORK 47X8	(3816)
RB109	1-233-423-21	RES, CHIP NETWORK 47	(3216)
RB110	1-234-710-21	RES, CHIP NETWORK 47X8	(3816)
RB112	1-233-423-21	RES, CHIP NETWORK 47	(3216)
RB113	1-234-710-21	RES, CHIP NETWORK 47X8	(3816)
RB114	1-234-710-21	RES, CHIP NETWORK 47X8	(3816)
RB117	1-234-710-21	RES, CHIP NETWORK 47X8	(3816)
RB118	1-234-710-21	RES, CHIP NETWORK 47X8	(3816)
RB121	1-233-423-21	RES, CHIP NETWORK 47	(3216)
RB122	1-233-423-21	RES, CHIP NETWORK 47	(3216)
RB123	1-234-710-21	RES, CHIP NETWORK 47X8	(3816)
RB124	1-234-710-21	RES, CHIP NETWORK 47X8	(3816)
RB139	1-233-414-21	RES, CHIP NETWORK 4.7K	(3216)
RB147	1-234-763-11	RES, CHIP NETWORK 75X8	(3816)
RB148	1-234-763-11	RES, CHIP NETWORK 75X8	(3816)
RB149	1-234-763-11	RES, CHIP NETWORK 75X8	(3816)
RB150	1-234-763-11	RES, CHIP NETWORK 75X8	(3816)
RB242	1-234-710-21	RES, CHIP NETWORK 47X8	(3816)
RB244	1-234-710-21	RES, CHIP NETWORK 47X8	(3816)
RB246	1-234-710-21	RES, CHIP NETWORK 47X8	(3816)
RB295	1-233-412-21	RES, CHIP NETWORK 1.0K	(3216)
RB296	1-234-598-21	RES, CHIP NETWORK 75X4	(3216)
RB297	1-234-599-21	RES, CHIP NETWORK 180X4	(3216)
RB298	1-234-598-21	RES, CHIP NETWORK 75X4	(3216)
RB303	1-233-412-21	RES, CHIP NETWORK 1.0K	(3216)
RB310	1-233-414-21	RES, CHIP NETWORK 4.7K	(3216)
RB311	1-233-679-91	RES, NETWORK 470	(1608)
RB312	1-233-786-91	RES, NETWORK 220	(1608)
RB314	1-233-681-91	RES, NETWORK 4.7K	(1608)
RB317	1-233-423-21	RES, CHIP NETWORK 47	(3216)
RB318	1-233-423-21	RES, CHIP NETWORK 47	(3216)
RB319	1-233-423-21	RES, CHIP NETWORK 47	(3216)
RB320	1-233-423-21	RES, CHIP NETWORK 47	(3216)
RB321	1-233-423-21	RES, CHIP NETWORK 47	(3216)
RB322	1-233-412-21	RES, CHIP NETWORK 1.0K	(3216)
RB323	1-233-412-21	RES, CHIP NETWORK 1.0K	(3216)
RB324	1-233-412-21	RES, CHIP NETWORK 1.0K	(3216)
RB325	1-233-412-21	RES, CHIP NETWORK 1.0K	(3216)
RB326	1-233-412-21	RES, CHIP NETWORK 1.0K	(3216)
RB327	1-233-415-21	RES, CHIP NETWORK 10K	(3216)
RB328	1-233-414-21	RES, CHIP NETWORK 4.7K	(3216)
RB332	1-233-575-21	RES, CHIP NETWORK 22	
RB401	1-233-415-21	RES, CHIP NETWORK 10K	(3216)
RB402	1-233-803-91	RES, NETWORK 1.5K	(1608)
RB403	1-233-415-21	RES, CHIP NETWORK 10K	(3216)
RB405	1-233-803-91	RES, NETWORK 1.5K	(1608)
RB406	1-233-792-91	RES, NETWORK 100K	(1608)
RB408	1-233-415-21	RES, CHIP NETWORK 10K	(3216)
RB409	1-233-415-21	RES, CHIP NETWORK 10K	(3216)
RB410	1-233-415-21	RES, CHIP NETWORK 10K	(3216)

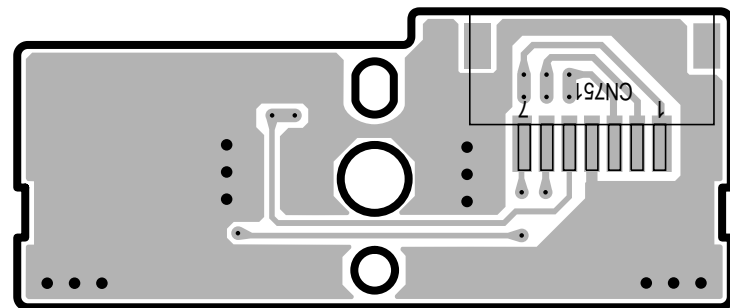
Ref.	Part No.	Description	
RB411	1-233-412-21	RES, CHIP NETWORK 1.0K	(3216)
RB511	1-233-423-21	RES, CHIP NETWORK 47	(3216)
RB517	1-233-575-21	RES, CHIP NETWORK 22	
RB518	1-233-575-21	RES, CHIP NETWORK 22	
RB520	1-233-575-21	RES, CHIP NETWORK 22	
RB521	1-233-575-21	RES, CHIP NETWORK 22	
RB522	1-233-575-21	RES, CHIP NETWORK 22	
RB523	1-233-575-21	RES, CHIP NETWORK 22	
RB524	1-233-575-21	RES, CHIP NETWORK 22	
RB525	1-233-575-21	RES, CHIP NETWORK 22	
RB526	1-233-575-21	RES, CHIP NETWORK 22	
RB527	1-233-575-21	RES, CHIP NETWORK 22	
RB528	1-233-575-21	RES, CHIP NETWORK 22	
RB529	1-233-575-21	RES, CHIP NETWORK 22	
RB519	1-233-575-21	RES, CHIP NETWORK 22	
RB530	1-233-575-21	RES, CHIP NETWORK 22	
RB531	1-233-575-21	RES, CHIP NETWORK 22	
RB532	1-233-575-21	RES, CHIP NETWORK 22	
RB602	1-233-415-21	RES, CHIP NETWORK 10K	(3216)
RB603	1-233-415-21	RES, CHIP NETWORK 10K	(3216)
RB604	1-233-415-21	RES, CHIP NETWORK 10K	(3216)
RB605	1-233-415-21	RES, CHIP NETWORK 10K	(3216)
RB606	1-233-412-21	RES, CHIP NETWORK 1.0K	(3216)
RB609	1-233-423-21	RES, CHIP NETWORK 47	(3216)
RB803	1-233-415-21	RES, CHIP NETWORK 10K	(3216)
<THERMISTOR>			
△ TH001	1-533-817-21	THERMISTOR	
△ TH001	1-804-384-21	THERMISTOR, POSITIVE	
△ TH001	1-804-384-31	THERMISTOR, POSITIVE	
△ TH002	1-533-817-21	THERMISTOR	
△ TH002	1-804-384-21	THERMISTOR, POSITIVE	
△ TH002	1-804-384-31	THERMISTOR, POSITIVE	
△ TH003	1-533-817-21	THERMISTOR	
△ TH003	1-804-384-21	THERMISTOR, POSITIVE	
△ TH003	1-804-384-31	THERMISTOR, POSITIVE	
<CRYSTAL>			
X102	1-781-640-21	VIBRATOR, CRYSTAL	
X102	1-781-640-41	VIBRATOR, CRYSTAL	
X301	1-781-856-21	VIBRATOR, CRYSTAL	
X301	1-781-856-41	VIBRATOR, CRYSTAL	
X302	1-781-768-21	VIBRATOR, CRYSTAL	
X302	1-781-768-41	VIBRATOR, CRYSTAL	
X401	1-760-496-22	VIBRATOR, LITHIUM NIOBATE	
X402	1-767-300-21	VIBRATOR, CRYSTAL	
X402	1-760-928-41	VIBRATOR, CRYSTAL	
X402	1-781-266-41	VIBRATOR, CRYSTAL	
X402	1-782-266-61	VIBRATOR, CRYSTAL	

Ref.	Part No.	Description
------	----------	-------------

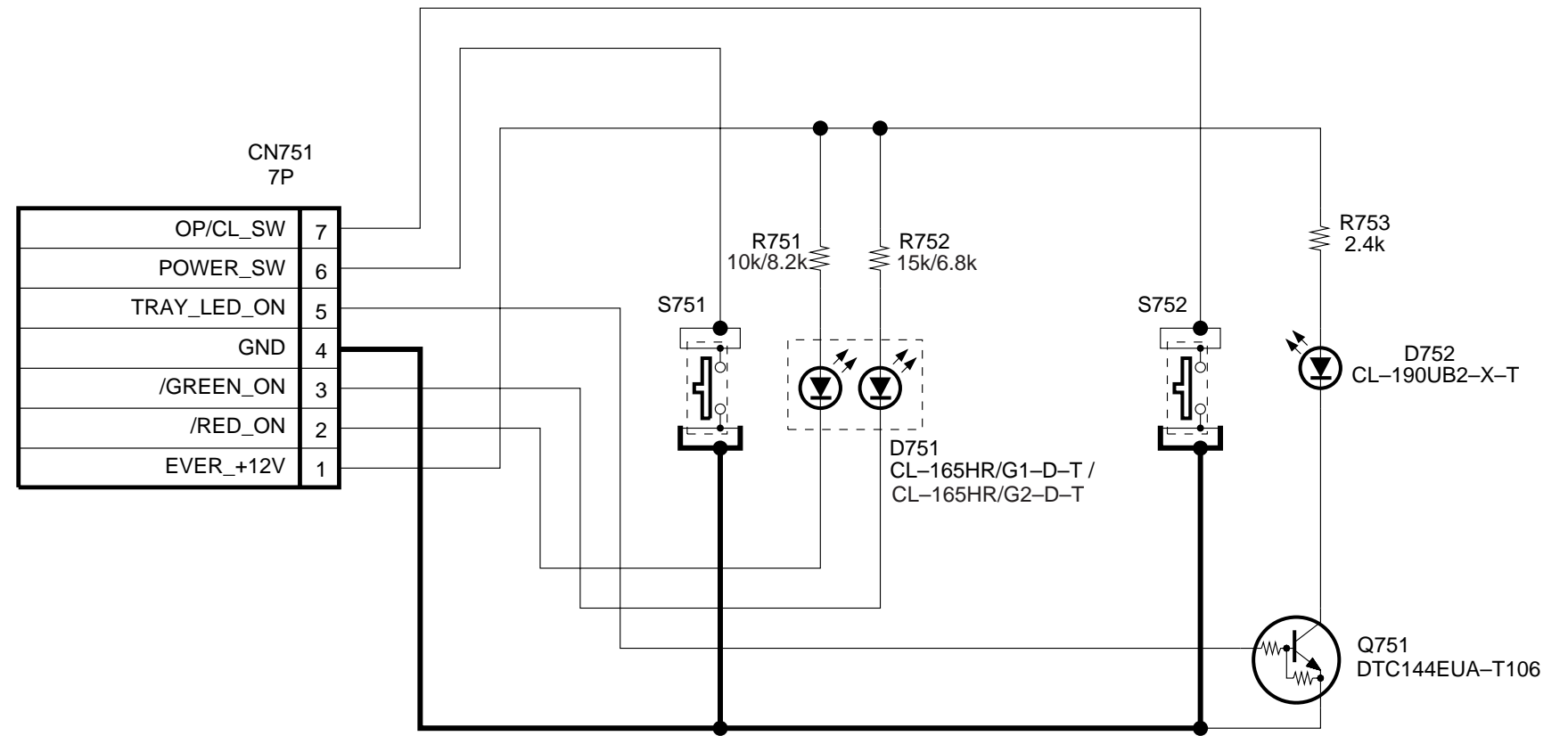
SWITCH MOUNT



SW-367/SW-367(VA)
A side



SW-367/SW-367(VA)
B side



SW-367/SW-367(VA)

A-6714-500-A SW-367 and A-6787-466-A SW-367(VA) SWITCH MOUNTED CIRCUIT BOARD

Ref-No.	Part No.	Description	Remark	Place code
PWB	1-683-435-31	PWB, SW-367		#25SW
PWB	1-683-435-41	PWB, SW-367		#25SW
CN751	1-785-470-21	CONNECTOR, FPC(LIF(NON-ZIF)7P		#25SW
CN751	1-794-627-11	CONNECTOR, FPC(LIF(NON-ZIF)7P		#25SW
D751	8-719-078-90	DIODE CL-165HR/G1-D-T	for SW367	#25SW
D751	6-500-232-01	DIODE CL-165HR/G2-D-T	for SW367(VA)	#25SW
D752	6-500-240-01	DIODE CL-190UB2-X-T		#25SW
Q751	8-729-013-97	TRANSISTOR RN1304-TE85L		#25SW
Q751	8-729-029-14	TRANSISTOR DTC144EUA-T106		#25SW
Q751	8-729-402-44	TRANSISTOR UN5213-TX		#25SW
R751	1-216-833-91	RES, CHIP 10K (1608)	for SW367	#25SW
R751	1-216-832-91	RES, CHIP 8.2K (1608)	for SW367(VA)	#25SW
R752	1-216-835-91	RES, CHIP 15K (1608)	for SW367	#25SW
R752	1-216-831-91	RES, CHIP 6.8K (1608)	for SW367(VA)	#25SW
R753	1-216-993-91	RES, CHIP 2.4K (1608)		#25SW
S751	1-771-917-21	SWITCH, TACTILE		#25SW
S752	1-771-917-21	SWITCH, TACTILE		#25SW